



# Trapezgewindespindeln & -muttern

## Lead Screws & Threaded Nuts

Lagerprogramm

Stock Programme

Inhalt

Content

Trapezgewindespindel gerollt  
rechts / links  
Lead Screws Rolled Finish  
Right Hand / Left Hand

• Seiten | pages F 1 - F 2



Trapezgewindespindel gewirbelt  
rechts / links  
Lead Screws Whirled Finish  
Right Hand / Left Hand

• Seiten | pages F 3 - F 4



Trapezgewindespindel rostfrei, gerollt  
rechts / links - NEU  
Lead Screws Stainless Steel, Rolled Finish,  
Right Hand / Left Hand - NEW

• Seiten | pages F 5 - F 6



Trapezgewindespindel rostfrei,  
gewirbelt rechts  
Lead Screws Stainless Steel,  
Whirled Finish, Right Hand

• Seiten | pages F 7



Trapezgewindemuttern  
rechts / links  
Threaded Nuts  
Right Hand / Left Hand

• Seiten | pages F 8 - F 9 & F 11 - F 12



Trapezgewindemuttern einbaufertig  
bearbeitet rechts / links - NEU  
Threaded Nuts Ready-to-Install  
Right Hand / Left Hand - NEW

• Seiten | pages F 10 & F 13



# Trapezgewindespindeln & -muttern

## Lead Screws & Threaded Nuts

Zeichnungsteile & Sonderlösungen

Drawing Parts & Customized Solutions

Inhalt

Content

Trapezgewindespindeln und -muttern werden nach individuellem Kundenwunsch und Zeichnung gefertigt:

Lead screws are manufactured according to individual customer requirements and drawings:

Zu unseren Lösungen zählen unter anderem:

Our solutions include:

- Trapezgewindespindeln und -muttern in Sonderabmessungen, weiteren Steigungen, Toleranzklassen sowie Materialien
- Trapezgewindespindeln in gerollter, gewirbelter oder geschliffener Ausführung; auch einbaufertig bearbeitet nach Ihren Wünschen sowie nach Zeichnung
- Rechts- und Linksgewinde sowie mehrgängige Gewinde
- Trapezgewindespindeln mit kombiniertem Rechts-/Links-Gewinde
- Trapezgewindespindeln in rostfreier Ausführung
- Trapezgewindespindeln mit Endenbearbeitung für Lagersitze
- Max. Spindellänge 12.000 mm
- Standard-Trapezgewindespindeln auf Zwischenlängen zugeschnitten

- Lead screws and threaded nuts in special dimensions, additional pitches, tolerance classes and materials
- Lead screws in rolled, whirled or ground design; also machined ready to be installed according to your order or drawing
- Right and left hand threads and multiple threads
- Lead screws with combined right hand/left hand thread
- Lead screws in stainless steel
- Lead screws with machined ends for mounting with support units
- Max. screw length 12,000 mm
- Standard lead screws cut to intermediate lengths

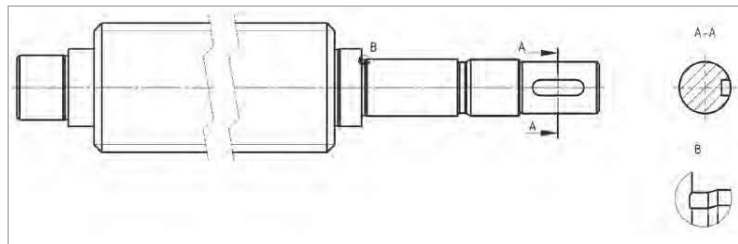
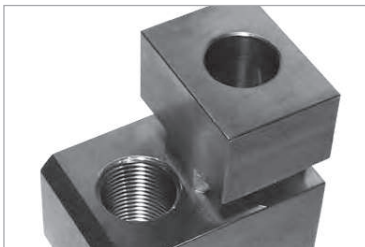


### Spindelendenbearbeitung

Entsprechend den Ausführungen auf den Seiten G 6 und G 7 dieses Katalogs oder nach Ihren Zeichnungen und individuellen Wünschen.

### Machined Shaft Ends

Corresponding to the designs on pages G 6 and G 7 of this catalogue or according to your drawings and individual requirements.



Unsere Konstrukteure beraten Sie gerne bei der Realisierung Ihrer Anwendung - Fordern Sie uns heraus!

We offer more than competitive prices - contact our engineering department!

## Trapezgewindespindeln - gerollt rechtsgängig

### Lead Screws - Rolled Finish, Right Hand



DIN | DIN

103

Qualität | quality  
Material | material

7e  
1.0501 [C35]

| Tr<br>d x p | d <sub>2</sub> min | d <sub>2</sub> max | d <sub>3</sub> min | L     | [kg]  | Bestell Nr.<br>Part No. |
|-------------|--------------------|--------------------|--------------------|-------|-------|-------------------------|
| 12 x 3      | 10,191             | 10,415             | 7,8                | 1 000 | 0,75  | 500-012-010             |
| 12 x 3      | 10,191             | 10,415             | 7,8                | 2 000 | 1,50  | 500-012-020             |
| 12 x 3      | 10,191             | 10,415             | 7,8                | 3 000 | 2,25  | 500-012-030             |
| 14 x 3      | 12,191             | 12,415             | 9,8                | 1 000 | 1,04  | 500-014-010             |
| 14 x 3      | 12,191             | 12,415             | 9,8                | 2 000 | 2,08  | 500-014-020             |
| 14 x 3      | 12,191             | 12,415             | 9,8                | 3 000 | 3,12  | 500-014-030             |
| 16 x 4      | 13,640             | 13,905             | 10,8               | 1 000 | 1,20  | 500-016-010             |
| 16 x 4      | 13,640             | 13,905             | 10,8               | 2 000 | 2,40  | 500-016-020             |
| 16 x 4      | 13,640             | 13,905             | 10,8               | 3 000 | 3,60  | 500-016-030             |
| 18 x 4      | 15,640             | 15,905             | 12,8               | 1 000 | 1,58  | 500-018-010             |
| 18 x 4      | 15,640             | 15,905             | 12,8               | 2 000 | 3,16  | 500-018-020             |
| 18 x 4      | 15,640             | 15,905             | 12,8               | 3 000 | 4,74  | 500-018-030             |
| 20 x 4      | 17,640             | 17,905             | 14,8               | 1 000 | 2,00  | 500-020-010             |
| 20 x 4      | 17,640             | 17,905             | 14,8               | 2 000 | 4,00  | 500-020-020             |
| 20 x 4      | 17,640             | 17,905             | 14,8               | 3 000 | 6,00  | 500-020-030             |
| 22 x 5      | 19,114             | 19,394             | 15,5               | 1 000 | 2,23  | 500-022-010             |
| 22 x 5      | 19,114             | 19,394             | 15,5               | 2 000 | 4,46  | 500-022-020             |
| 22 x 5      | 19,114             | 19,394             | 15,5               | 3 000 | 6,69  | 500-022-030             |
| 24 x 5      | 21,094             | 21,394             | 17,5               | 1 000 | 2,70  | 500-024-010             |
| 24 x 5      | 21,094             | 21,394             | 17,5               | 2 000 | 5,40  | 500-024-020             |
| 24 x 5      | 21,094             | 21,394             | 17,5               | 3 000 | 8,10  | 500-024-030             |
| 26 x 5      | 23,094             | 23,394             | 19,5               | 1 000 | 3,26  | 500-026-010             |
| 26 x 5      | 23,094             | 23,394             | 19,5               | 2 000 | 6,52  | 500-026-020             |
| 26 x 5      | 23,094             | 23,394             | 19,5               | 3 000 | 9,78  | 500-026-030             |
| 28 x 5      | 25,094             | 25,394             | 21,5               | 1 000 | 3,85  | 500-028-010             |
| 28 x 5      | 25,094             | 25,394             | 21,5               | 2 000 | 7,70  | 500-028-020             |
| 28 x 5      | 25,094             | 25,394             | 21,5               | 3 000 | 11,55 | 500-028-030             |
| 30 x 6      | 26,547             | 26,882             | 21,9               | 1 000 | 4,50  | 500-030-010             |
| 30 x 6      | 26,547             | 26,882             | 21,9               | 2 000 | 9,00  | 500-030-020             |
| 30 x 6      | 26,547             | 26,882             | 21,9               | 3 000 | 13,50 | 500-030-030             |
| 32 x 6      | 28,547             | 28,882             | 23,9               | 1 000 | 5,18  | 500-032-010             |
| 32 x 6      | 28,547             | 28,882             | 23,9               | 2 000 | 10,36 | 500-032-020             |
| 32 x 6      | 28,547             | 28,882             | 23,9               | 3 000 | 15,54 | 500-032-030             |
| 36 x 6      | 32,547             | 32,882             | 27,9               | 1 000 | 6,70  | 500-036-010             |
| 36 x 6      | 32,547             | 32,882             | 27,9               | 2 000 | 13,40 | 500-036-020             |
| 36 x 6      | 32,547             | 32,882             | 27,9               | 3 000 | 20,10 | 500-036-030             |
| 40 x 7      | 36,020             | 36,375             | 30,5               | 1 000 | 8,00  | 500-040-010             |
| 40 x 7      | 36,020             | 36,375             | 30,5               | 2 000 | 16,00 | 500-040-020             |
| 40 x 7      | 36,020             | 36,375             | 30,5               | 3 000 | 24,00 | 500-040-030             |
| 44 x 7      | 40,020             | 40,375             | 34,5               | 1 000 | 9,87  | 500-044-010             |
| 44 x 7      | 40,020             | 40,375             | 34,5               | 2 000 | 19,74 | 500-044-020             |
| 44 x 7      | 40,020             | 40,375             | 34,5               | 3 000 | 29,61 | 500-044-030             |
| 48 x 8      | 43,468             | 43,868             | 37,8               | 1 000 | 11,95 | 500-048-010             |
| 48 x 8      | 43,468             | 43,868             | 37,8               | 2 000 | 23,90 | 500-048-020             |
| 48 x 8      | 43,468             | 43,868             | 37,8               | 3 000 | 35,85 | 500-048-030             |
| 50 x 8      | 45,468             | 45,868             | 39,3               | 1 000 | 13,00 | 500-050-010             |
| 50 x 8      | 45,468             | 45,868             | 39,3               | 2 000 | 26,00 | 500-050-020             |
| 50 x 8      | 45,468             | 45,868             | 39,3               | 3 000 | 39,00 | 500-050-030             |
| 60 x 9      | 54,935             | 55,360             | 48,1               | 1 000 | 18,00 | 500-060-010             |
| 60 x 9      | 54,935             | 55,360             | 48,1               | 2 000 | 36,00 | 500-060-020             |
| 60 x 9      | 54,935             | 55,360             | 48,1               | 3 000 | 54,00 | 500-060-030             |

## Trapezgewindespindeln - gerollt, linksgängig

### Lead Screws - Rolled Finish, Left Hand



DIN | DIN

103

Qualität | quality  
 Material | material

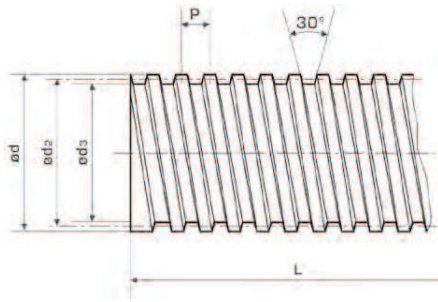
7e  
 1.0501 [C35]

| Tr<br>d x p | d <sub>2</sub> min | d <sub>2</sub> max | d <sub>3</sub> min | L     | [kg]  | Bestell Nr.<br>Part No. |
|-------------|--------------------|--------------------|--------------------|-------|-------|-------------------------|
| 12 x 3      | 10,191             | 10,415             | 7,8                | 1 000 | 0,75  | 505-012-010             |
| 12 x 3      | 10,191             | 10,415             | 7,8                | 2 000 | 1,50  | 505-012-020             |
| 12 x 3      | 10,191             | 10,415             | 7,8                | 3 000 | 2,25  | 505-012-030             |
| 14 x 3      | 12,191             | 12,415             | 9,8                | 1 000 | 1,04  | 505-014-010             |
| 14 x 3      | 12,191             | 12,415             | 9,8                | 2 000 | 2,08  | 505-014-020             |
| 14 x 3      | 12,191             | 12,415             | 9,8                | 3 000 | 3,12  | 505-014-030             |
| 16 x 4      | 13,640             | 13,905             | 10,8               | 1 000 | 1,20  | 505-016-010             |
| 16 x 4      | 13,640             | 13,905             | 10,8               | 2 000 | 2,40  | 505-016-020             |
| 16 x 4      | 13,640             | 13,905             | 10,8               | 3 000 | 3,60  | 505-016-030             |
| 18 x 4      | 15,640             | 15,905             | 12,8               | 1 000 | 1,58  | 505-018-010             |
| 18 x 4      | 15,640             | 15,905             | 12,8               | 2 000 | 3,16  | 505-018-020             |
| 18 x 4      | 15,640             | 15,905             | 12,8               | 3 000 | 4,74  | 505-018-030             |
| 20 x 4      | 17,640             | 17,905             | 14,8               | 1 000 | 2,00  | 505-020-010             |
| 20 x 4      | 17,640             | 17,905             | 14,8               | 2 000 | 4,00  | 505-020-020             |
| 20 x 4      | 17,640             | 17,905             | 14,8               | 3 000 | 6,00  | 505-020-030             |
| 22 x 5      | 19,114             | 19,394             | 15,5               | 1 000 | 2,23  | 505-022-010             |
| 22 x 5      | 19,114             | 19,394             | 15,5               | 2 000 | 4,46  | 505-022-020             |
| 22 x 5      | 19,114             | 19,394             | 15,5               | 3 000 | 6,69  | 505-022-030             |
| 24 x 5      | 21,094             | 21,394             | 17,5               | 1 000 | 2,70  | 505-024-010             |
| 24 x 5      | 21,094             | 21,394             | 17,5               | 2 000 | 5,40  | 505-024-020             |
| 24 x 5      | 21,094             | 21,394             | 17,5               | 3 000 | 8,10  | 505-024-030             |
| 26 x 5      | 23,094             | 23,394             | 19,5               | 1 000 | 3,26  | 505-026-010             |
| 26 x 5      | 23,094             | 23,394             | 19,5               | 2 000 | 6,52  | 505-026-020             |
| 26 x 5      | 23,094             | 23,394             | 19,5               | 3 000 | 9,78  | 505-026-030             |
| 28 x 5      | 25,094             | 25,394             | 21,5               | 1 000 | 3,85  | 505-028-010             |
| 28 x 5      | 25,094             | 25,394             | 21,5               | 2 000 | 7,70  | 505-028-020             |
| 28 x 5      | 25,094             | 25,394             | 21,5               | 3 000 | 11,55 | 505-028-030             |
| 30 x 6      | 26,547             | 26,882             | 21,9               | 1 000 | 4,50  | 505-030-010             |
| 30 x 6      | 26,547             | 26,882             | 21,9               | 2 000 | 9,00  | 505-030-020             |
| 30 x 6      | 26,547             | 26,882             | 21,9               | 3 000 | 13,50 | 505-030-030             |
| 32 x 6      | 28,547             | 28,882             | 23,9               | 1 000 | 5,18  | 505-032-010             |
| 32 x 6      | 28,547             | 28,882             | 23,9               | 2 000 | 10,36 | 505-032-020             |
| 32 x 6      | 28,547             | 28,882             | 23,9               | 3 000 | 15,54 | 505-032-030             |
| 36 x 6      | 32,547             | 32,882             | 27,9               | 1 000 | 6,70  | 505-036-010             |
| 36 x 6      | 32,547             | 32,882             | 27,9               | 2 000 | 13,40 | 505-036-020             |
| 36 x 6      | 32,547             | 32,882             | 27,9               | 3 000 | 20,10 | 505-036-030             |
| 40 x 7      | 36,020             | 36,375             | 30,5               | 1 000 | 8,00  | 505-040-010             |
| 40 x 7      | 36,020             | 36,375             | 30,5               | 2 000 | 16,00 | 505-040-020             |
| 40 x 7      | 36,020             | 36,375             | 30,5               | 3 000 | 24,00 | 505-040-030             |
| 44 x 7      | 40,020             | 40,375             | 34,5               | 1 000 | 9,87  | 505-044-010             |
| 44 x 7      | 40,020             | 40,375             | 34,5               | 2 000 | 19,74 | 505-044-020             |
| 44 x 7      | 40,020             | 40,375             | 34,5               | 3 000 | 29,61 | 505-044-030             |
| 48 x 8      | 43,468             | 43,868             | 37,8               | 1 000 | 11,95 | 505-048-010             |
| 48 x 8      | 43,468             | 43,868             | 37,8               | 2 000 | 23,90 | 505-048-020             |
| 48 x 8      | 43,468             | 43,868             | 37,8               | 3 000 | 35,85 | 505-048-030             |
| 50 x 8      | 45,468             | 45,868             | 39,3               | 1 000 | 13,00 | 505-050-010             |
| 50 x 8      | 45,468             | 45,868             | 39,3               | 2 000 | 26,00 | 505-050-020             |
| 50 x 8      | 45,468             | 45,868             | 39,3               | 3 000 | 39,00 | 505-050-030             |
| 60 x 9      | 54,935             | 55,360             | 48,1               | 1 000 | 18,00 | 505-060-010             |
| 60 x 9      | 54,935             | 55,360             | 48,1               | 2 000 | 36,00 | 505-060-020             |
| 60 x 9      | 54,935             | 55,360             | 48,1               | 3 000 | 54,00 | 505-060-030             |



## Trapezgewindespindeln - gewirbelt, rechtsgängig

### Lead Screws - Whirled Finish, Right Hand



DIN | DIN

103

Qualität | quality  
Material | material

7e  
1.0715 [9 S Mn 28 K] /  
1.0503 [C45]

| Tr<br>d x p | d <sub>2</sub> min | d <sub>2</sub> max | d <sub>3</sub> min | L     | [kg]  | Bestell Nr.<br>Part No. |
|-------------|--------------------|--------------------|--------------------|-------|-------|-------------------------|
| 10 x 3      | 8,191              | 8,415              | 6,14               | 1 000 | 0,45  | 501-010-010             |
| 10 x 3      | 8,191              | 8,415              | 6,14               | 2 000 | 0,90  | 501-010-020             |
| 10 x 3      | 8,191              | 8,415              | 6,14               | 3 000 | 1,35  | 501-010-030             |
| 12 x 3      | 10,191             | 10,415             | 8,14               | 1 000 | 0,75  | 501-012-010             |
| 12 x 3      | 10,191             | 10,415             | 8,14               | 2 000 | 1,50  | 501-012-020             |
| 12 x 3      | 10,191             | 10,415             | 8,14               | 3 000 | 2,25  | 501-012-030             |
| 14 x 3      | 12,191             | 12,415             | 10,14              | 1 000 | 0,96  | 501-014-010             |
| 14 x 3      | 12,191             | 12,415             | 10,14              | 2 000 | 1,92  | 501-014-020             |
| 14 x 3      | 12,191             | 12,415             | 10,14              | 3 000 | 2,88  | 501-014-030             |
| 16 x 4      | 13,640             | 13,905             | 11,07              | 1 000 | 1,20  | 501-016-010             |
| 16 x 4      | 13,640             | 13,905             | 11,07              | 2 000 | 2,40  | 501-016-020             |
| 16 x 4      | 13,640             | 13,905             | 11,07              | 3 000 | 3,60  | 501-016-030             |
| 18 x 4      | 15,640             | 15,905             | 13,07              | 1 000 | 1,58  | 501-018-010             |
| 18 x 4      | 15,640             | 15,905             | 13,07              | 2 000 | 3,16  | 501-018-020             |
| 18 x 4      | 15,640             | 15,905             | 13,07              | 3 000 | 4,74  | 501-018-030             |
| 20 x 4      | 17,640             | 17,905             | 15,18              | 1 000 | 2,00  | 501-020-010             |
| 20 x 4      | 17,640             | 17,905             | 15,18              | 2 000 | 4,00  | 501-020-020             |
| 20 x 4      | 17,640             | 17,905             | 15,18              | 3 000 | 6,00  | 501-020-030             |
| 22 x 5      | 19,114             | 19,394             | 16,04              | 1 000 | 2,35  | 501-022-010             |
| 22 x 5      | 19,114             | 19,394             | 16,04              | 2 000 | 4,70  | 501-022-020             |
| 22 x 5      | 19,114             | 19,394             | 16,04              | 3 000 | 7,05  | 501-022-030             |
| 24 x 5      | 21,094             | 21,394             | 18,02              | 1 000 | 2,70  | 501-024-010             |
| 24 x 5      | 21,094             | 21,394             | 18,02              | 2 000 | 5,40  | 501-024-020             |
| 24 x 5      | 21,094             | 21,394             | 18,02              | 3 000 | 8,10  | 501-024-030             |
| 26 x 5      | 23,094             | 23,394             | 20,02              | 1 000 | 3,26  | 501-026-010             |
| 26 x 5      | 23,094             | 23,394             | 20,02              | 2 000 | 6,52  | 501-026-020             |
| 26 x 5      | 23,094             | 23,394             | 20,02              | 3 000 | 9,78  | 501-026-030             |
| 28 x 5      | 25,094             | 25,394             | 22,02              | 1 000 | 3,85  | 501-028-010             |
| 28 x 5      | 25,094             | 25,394             | 22,02              | 2 000 | 7,70  | 501-028-020             |
| 28 x 5      | 25,094             | 25,394             | 22,02              | 3 000 | 11,55 | 501-028-030             |
| 30 x 6      | 26,547             | 26,882             | 22,46              | 1 000 | 4,50  | 501-030-010             |
| 30 x 6      | 26,547             | 26,882             | 22,46              | 2 000 | 9,00  | 501-030-020             |
| 30 x 6      | 26,547             | 26,882             | 22,46              | 3 000 | 13,50 | 501-030-030             |
| 32 x 6      | 28,547             | 28,882             | 24,46              | 1 000 | 5,13  | 501-032-010             |
| 32 x 6      | 28,547             | 28,882             | 24,46              | 2 000 | 10,26 | 501-032-020             |
| 32 x 6      | 28,547             | 28,882             | 24,46              | 3 000 | 15,39 | 501-032-030             |
| 36 x 6      | 32,547             | 32,882             | 28,46              | 1 000 | 6,70  | 501-036-010             |
| 36 x 6      | 32,547             | 32,882             | 28,46              | 2 000 | 13,40 | 501-036-020             |
| 36 x 6      | 32,547             | 32,882             | 28,46              | 3 000 | 20,10 | 501-036-030             |
| 40 x 7      | 36,020             | 36,375             | 31,43              | 1 000 | 8,00  | 501-040-010             |
| 40 x 7      | 36,020             | 36,375             | 31,43              | 2 000 | 16,00 | 501-040-020             |
| 40 x 7      | 36,020             | 36,375             | 31,43              | 3 000 | 24,00 | 501-040-030             |
| 44 x 7      | 40,020             | 40,375             | 35,43              | 1 000 | 9,87  | 501-044-010             |
| 44 x 7      | 40,020             | 40,375             | 35,43              | 2 000 | 19,74 | 501-044-020             |
| 44 x 7      | 40,020             | 40,375             | 35,43              | 3 000 | 29,61 | 501-044-030             |
| 48 x 8      | 43,468             | 43,868             | 38,37              | 1 000 | 11,95 | 501-048-010             |
| 48 x 8      | 43,468             | 43,868             | 38,37              | 2 000 | 23,90 | 501-048-020             |
| 48 x 8      | 43,468             | 43,868             | 38,37              | 3 000 | 35,85 | 501-048-030             |
| 50 x 8      | 45,468             | 45,868             | 40,37              | 1 000 | 13,00 | 501-050-010             |
| 50 x 8      | 45,468             | 45,868             | 40,37              | 2 000 | 26,00 | 501-050-020             |
| 50 x 8      | 45,468             | 45,868             | 40,37              | 3 000 | 39,00 | 501-050-030             |
| 60 x 9      | 54,935             | 55,360             | 49,33              | 1 000 | 18,00 | 501-060-010             |
| 60 x 9      | 54,935             | 55,360             | 49,33              | 2 000 | 36,00 | 501-060-020             |
| 60 x 9      | 54,935             | 55,360             | 49,33              | 3 000 | 54,00 | 501-060-030             |
| 70 x 10     | 64,425             | 64,850             | 58,32              | 1 000 | 26,00 | 501-070-010             |
| 70 x 10     | 64,425             | 64,850             | 58,32              | 2 000 | 52,00 | 501-070-020             |
| 70 x 10     | 64,425             | 64,850             | 58,32              | 3 000 | 78,00 | 501-070-030             |

# Trapezgewindespindeln - gewirbelt, linksgängig

## Lead Screws - Whirled Finish, Left Hand



**DIN | DIN** **103**

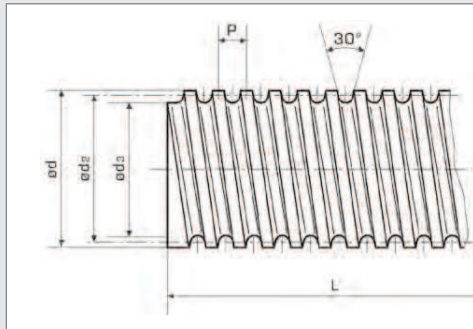
Qualität | quality **7e**

Material | material **1.0715 [9 S Mn 28 K] /  
1.0503 [C45]**

| Tr<br>d x p | d <sub>2</sub> min | d <sub>2</sub> max | d <sub>3</sub> min | L     | [kg]  | Bestell Nr.<br>Part No. |
|-------------|--------------------|--------------------|--------------------|-------|-------|-------------------------|
| 10 x 3      | 8,191              | 8,415              | 6,14               | 1 000 | 0,45  | 506-010-010             |
| 10 x 3      | 8,191              | 8,415              | 6,14               | 2 000 | 0,90  | 506-010-020             |
| 10 x 3      | 8,191              | 8,415              | 6,14               | 3 000 | 1,35  | 506-010-030             |
| 12 x 3      | 10,191             | 10,415             | 8,14               | 1 000 | 0,75  | 506-012-010             |
| 12 x 3      | 10,191             | 10,415             | 8,14               | 2 000 | 1,50  | 506-012-020             |
| 12 x 3      | 10,191             | 10,415             | 8,14               | 3 000 | 2,25  | 506-012-030             |
| 14 x 3      | 12,191             | 12,415             | 10,14              | 1 000 | 0,96  | 506-014-010             |
| 14 x 3      | 12,191             | 12,415             | 10,14              | 2 000 | 1,92  | 506-014-020             |
| 14 x 3      | 12,191             | 12,415             | 10,14              | 3 000 | 2,88  | 506-014-030             |
| 16 x 4      | 13,640             | 13,905             | 11,07              | 1 000 | 1,20  | 506-016-010             |
| 16 x 4      | 13,640             | 13,905             | 11,07              | 2 000 | 2,40  | 506-016-020             |
| 16 x 4      | 13,640             | 13,905             | 11,07              | 3 000 | 3,60  | 506-016-030             |
| 18 x 4      | 15,640             | 15,905             | 13,07              | 1 000 | 1,58  | 506-018-010             |
| 18 x 4      | 15,640             | 15,905             | 13,07              | 2 000 | 3,16  | 506-018-020             |
| 18 x 4      | 15,640             | 15,905             | 13,07              | 3 000 | 4,74  | 506-018-030             |
| 20 x 4      | 17,640             | 17,905             | 15,18              | 1 000 | 2,00  | 506-020-010             |
| 20 x 4      | 17,640             | 17,905             | 15,18              | 2 000 | 4,00  | 506-020-020             |
| 20 x 4      | 17,640             | 17,905             | 15,18              | 3 000 | 6,00  | 506-020-030             |
| 22 x 5      | 19,114             | 19,394             | 16,04              | 1 000 | 2,35  | 506-022-010             |
| 22 x 5      | 19,114             | 19,394             | 16,04              | 2 000 | 4,70  | 506-022-020             |
| 22 x 5      | 19,114             | 19,394             | 16,04              | 3 000 | 7,05  | 506-022-030             |
| 24 x 5      | 21,094             | 21,394             | 18,02              | 1 000 | 2,70  | 506-024-010             |
| 24 x 5      | 21,094             | 21,394             | 18,02              | 2 000 | 5,40  | 506-024-020             |
| 24 x 5      | 21,094             | 21,394             | 18,02              | 3 000 | 8,10  | 506-024-030             |
| 26 x 5      | 23,094             | 23,394             | 20,02              | 1 000 | 3,26  | 506-026-010             |
| 26 x 5      | 23,094             | 23,394             | 20,02              | 2 000 | 6,52  | 506-026-020             |
| 26 x 5      | 23,094             | 23,394             | 20,02              | 3 000 | 9,78  | 506-026-030             |
| 28 x 5      | 25,094             | 25,394             | 22,02              | 1 000 | 3,85  | 506-028-010             |
| 28 x 5      | 25,094             | 25,394             | 22,02              | 2 000 | 7,70  | 506-028-020             |
| 28 x 5      | 25,094             | 25,394             | 22,02              | 3 000 | 11,55 | 506-028-030             |
| 30 x 6      | 26,547             | 26,882             | 22,46              | 1 000 | 4,50  | 506-030-010             |
| 30 x 6      | 26,547             | 26,882             | 22,46              | 2 000 | 9,00  | 506-030-020             |
| 30 x 6      | 26,547             | 26,882             | 22,46              | 3 000 | 13,50 | 506-030-030             |
| 32 x 6      | 28,547             | 28,882             | 24,46              | 1 000 | 5,13  | 506-032-010             |
| 32 x 6      | 28,547             | 28,882             | 24,46              | 2 000 | 10,26 | 506-032-020             |
| 32 x 6      | 28,547             | 28,882             | 24,46              | 3 000 | 15,39 | 506-032-030             |
| 36 x 6      | 32,547             | 32,882             | 28,46              | 1 000 | 6,70  | 506-036-010             |
| 36 x 6      | 32,547             | 32,882             | 28,46              | 2 000 | 13,40 | 506-036-020             |
| 36 x 6      | 32,547             | 32,882             | 28,46              | 3 000 | 20,10 | 506-036-030             |
| 40 x 7      | 36,020             | 36,375             | 31,43              | 1 000 | 8,00  | 506-040-010             |
| 40 x 7      | 36,020             | 36,375             | 31,43              | 2 000 | 16,00 | 506-040-020             |
| 40 x 7      | 36,020             | 36,375             | 31,43              | 3 000 | 24,00 | 506-040-030             |
| 44 x 7      | 40,020             | 40,375             | 35,43              | 1 000 | 9,87  | 506-044-010             |
| 44 x 7      | 40,020             | 40,375             | 35,43              | 2 000 | 19,74 | 506-044-020             |
| 44 x 7      | 40,020             | 40,375             | 35,43              | 3 000 | 29,61 | 506-044-030             |
| 48 x 8      | 43,468             | 43,868             | 38,37              | 1 000 | 11,95 | 506-048-010             |
| 48 x 8      | 43,468             | 43,868             | 38,37              | 2 000 | 23,90 | 506-048-020             |
| 48 x 8      | 43,468             | 43,868             | 38,37              | 3 000 | 35,85 | 506-048-030             |
| 50 x 8      | 45,468             | 45,868             | 40,37              | 1 000 | 13,00 | 506-050-010             |
| 50 x 8      | 45,468             | 45,868             | 40,37              | 2 000 | 26,00 | 506-050-020             |
| 50 x 8      | 45,468             | 45,868             | 40,37              | 3 000 | 39,00 | 506-050-030             |
| 60 x 9      | 54,935             | 55,360             | 49,33              | 1 000 | 18,00 | 506-060-010             |
| 60 x 9      | 54,935             | 55,360             | 49,33              | 2 000 | 36,00 | 506-060-020             |
| 60 x 9      | 54,935             | 55,360             | 49,33              | 3 000 | 54,00 | 506-060-030             |
| 70 x 10     | 64,425             | 64,850             | 58,32              | 1 000 | 26,00 | 506-070-010             |
| 70 x 10     | 64,425             | 64,850             | 58,32              | 2 000 | 52,00 | 506-070-020             |
| 70 x 10     | 64,425             | 64,850             | 58,32              | 3 000 | 78,00 | 506-070-030             |



## Rostfreie Trapezgewindespindeln - gerollt, rechtsgängig Stainless Steel Lead Screws - Rolled Finish, Right Hand



DIN | DIN

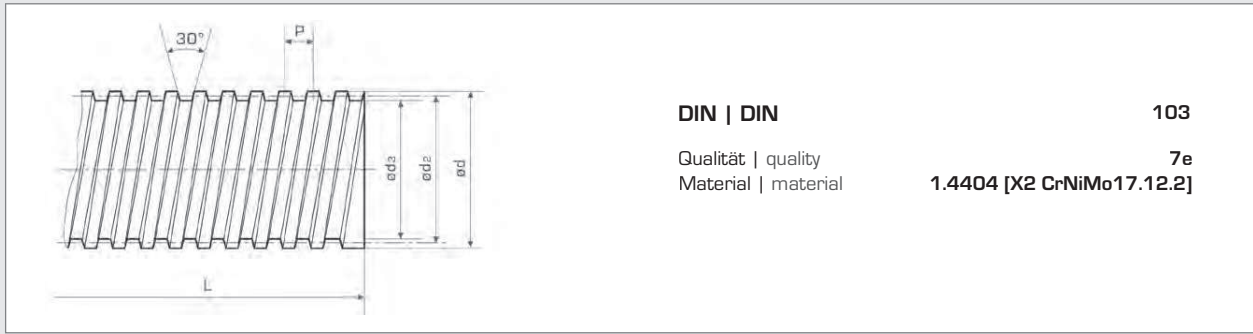
103

Qualität | quality  
Material | material

7e  
1.4305 / 1.4404

| Tr<br>d x p | d <sub>2</sub> min | d <sub>2</sub> max | d <sub>3</sub> min | L     | [kg]  | Bestell Nr.<br>Part No. |
|-------------|--------------------|--------------------|--------------------|-------|-------|-------------------------|
| 12 x 3      | 10,191             | 10,415             | 7,8                | 1 000 | 0,75  | 500-012-210             |
| 12 x 3      | 10,191             | 10,415             | 7,8                | 2 000 | 1,50  | 500-012-220             |
| 12 x 3      | 10,191             | 10,415             | 7,8                | 3 000 | 2,25  | 500-012-230             |
| 16 x 4      | 13,640             | 13,905             | 10,8               | 1 000 | 1,20  | 500-016-210             |
| 16 x 4      | 13,640             | 13,905             | 10,8               | 2 000 | 2,40  | 500-016-220             |
| 16 x 4      | 13,640             | 13,905             | 10,8               | 3 000 | 3,60  | 500-016-230             |
| 18 x 4      | 15,640             | 15,905             | 12,8               | 1 000 | 1,58  | 500-018-210             |
| 18 x 4      | 15,640             | 15,905             | 12,8               | 2 000 | 3,16  | 500-018-220             |
| 18 x 4      | 15,640             | 15,905             | 12,8               | 3 000 | 4,74  | 500-018-230             |
| 20 x 4      | 17,640             | 17,905             | 14,8               | 1 000 | 2,00  | 500-020-210             |
| 20 x 4      | 17,640             | 17,905             | 14,8               | 2 000 | 4,00  | 500-020-220             |
| 20 x 4      | 17,640             | 17,905             | 14,8               | 3 000 | 6,00  | 500-020-230             |
| 24 x 5      | 21,094             | 21,394             | 17,5               | 1 000 | 2,70  | 500-024-210             |
| 24 x 5      | 21,094             | 21,394             | 17,5               | 2 000 | 5,40  | 500-024-220             |
| 24 x 5      | 21,094             | 21,394             | 17,5               | 3 000 | 8,10  | 500-024-230             |
| 26 x 5      | 23,094             | 23,394             | 19,5               | 1 000 | 3,26  | 500-026-210             |
| 26 x 5      | 23,094             | 23,394             | 19,5               | 2 000 | 6,52  | 500-026-220             |
| 26 x 5      | 23,094             | 23,394             | 19,5               | 3 000 | 9,78  | 500-026-230             |
| 28 x 5      | 25,094             | 25,394             | 21,5               | 1 000 | 3,85  | 500-028-210             |
| 28 x 5      | 25,094             | 25,394             | 21,5               | 2 000 | 7,70  | 500-028-220             |
| 28 x 5      | 25,094             | 25,394             | 21,5               | 3 000 | 11,55 | 500-028-230             |
| 30 x 6      | 26,547             | 26,882             | 21,9               | 1 000 | 4,50  | 500-030-210             |
| 30 x 6      | 26,547             | 26,882             | 21,9               | 2 000 | 9,00  | 500-030-220             |
| 30 x 6      | 26,547             | 26,882             | 21,9               | 3 000 | 13,50 | 500-030-230             |
| 32 x 6      | 28,547             | 28,882             | 23,9               | 1 000 | 5,18  | 500-032-210             |
| 32 x 6      | 28,547             | 28,882             | 23,9               | 2 000 | 10,36 | 500-032-220             |
| 32 x 6      | 28,547             | 28,882             | 23,9               | 3 000 | 15,54 | 500-032-230             |
| 36 x 6      | 32,547             | 32,882             | 27,9               | 1 000 | 6,70  | 500-036-210             |
| 36 x 6      | 32,547             | 32,882             | 27,9               | 2 000 | 13,40 | 500-036-220             |
| 36 x 6      | 32,547             | 32,882             | 27,9               | 3 000 | 20,10 | 500-036-230             |
| 40 x 7      | 36,020             | 36,375             | 30,5               | 1 000 | 8,00  | 500-040-210             |
| 40 x 7      | 36,020             | 36,375             | 30,5               | 2 000 | 16,00 | 500-040-220             |
| 40 x 7      | 36,020             | 36,375             | 30,5               | 3 000 | 24,00 | 500-040-230             |
| 50 x 8      | 45,468             | 45,868             | 39,3               | 1 000 | 13,00 | 500-050-210             |
| 50 x 8      | 45,468             | 45,868             | 39,3               | 2 000 | 26,00 | 500-050-220             |
| 50 x 8      | 45,468             | 45,868             | 39,3               | 3 000 | 39,00 | 500-050-230             |

## NEU! Rostfreie Trapezgewindespindeln - gerollt, linksgängig NEW! Stainless Steel Lead Screws - Rolled Finish, Left Hand



DIN | DIN

103

Qualität | quality  
 Material | material

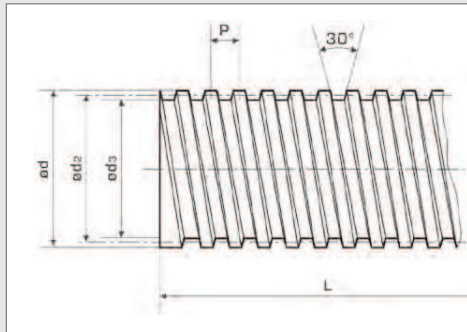
7e  
 1.4404 [X2 CrNiMo17.12.2]

| Tr<br>d x p | d <sub>2</sub> min | d <sub>2</sub> max | d <sub>3</sub> min | L     | [kg]  | Bestell Nr.<br>Part No. |
|-------------|--------------------|--------------------|--------------------|-------|-------|-------------------------|
| 12 x 3      | 10,191             | 10,415             | 7,8                | 1 000 | 0,75  | 505-012-210             |
| 12 x 3      | 10,191             | 10,415             | 7,8                | 2 000 | 1,50  | 505-012-220             |
| 12 x 3      | 10,191             | 10,415             | 7,8                | 3 000 | 2,25  | 505-012-230             |
| 16 x 4      | 13,640             | 13,905             | 10,8               | 1 000 | 1,20  | 505-016-210             |
| 16 x 4      | 13,640             | 13,905             | 10,8               | 2 000 | 2,40  | 505-016-220             |
| 16 x 4      | 13,640             | 13,905             | 10,8               | 3 000 | 3,60  | 505-016-230             |
| 20 x 4      | 17,640             | 17,905             | 14,8               | 1 000 | 2,00  | 505-020-210             |
| 20 x 4      | 17,640             | 17,905             | 14,8               | 2 000 | 4,00  | 505-020-220             |
| 20 x 4      | 17,640             | 17,905             | 14,8               | 3 000 | 6,00  | 505-020-230             |
| 24 x 5      | 21,094             | 21,394             | 17,5               | 1 000 | 2,70  | 505-024-210             |
| 24 x 5      | 21,094             | 21,394             | 17,5               | 2 000 | 5,40  | 505-024-220             |
| 24 x 5      | 21,094             | 21,394             | 17,5               | 3 000 | 8,10  | 505-024-230             |
| 30 x 6      | 26,547             | 26,882             | 21,9               | 1 000 | 4,50  | 505-030-210             |
| 30 x 6      | 26,547             | 26,882             | 21,9               | 2 000 | 9,00  | 505-030-220             |
| 30 x 6      | 26,547             | 26,882             | 21,9               | 3 000 | 13,50 | 505-030-230             |
| 32 x 6      | 28,547             | 28,882             | 23,9               | 1 000 | 5,18  | 505-032-210             |
| 32 x 6      | 28,547             | 28,882             | 23,9               | 2 000 | 10,36 | 505-032-220             |
| 32 x 6      | 28,547             | 28,882             | 23,9               | 3 000 | 15,54 | 505-032-230             |
| 36 x 6      | 32,547             | 32,882             | 27,9               | 1 000 | 6,70  | 505-036-210             |
| 36 x 6      | 32,547             | 32,882             | 27,9               | 2 000 | 13,40 | 505-036-220             |
| 36 x 6      | 32,547             | 32,882             | 27,9               | 3 000 | 20,10 | 505-036-230             |
| 40 x 7      | 36,020             | 36,375             | 30,5               | 1 000 | 8,00  | 505-040-210             |
| 40 x 7      | 36,020             | 36,375             | 30,5               | 2 000 | 16,00 | 505-040-220             |
| 40 x 7      | 36,020             | 36,375             | 30,5               | 3 000 | 24,00 | 505-040-230             |
| 50 x 8      | 45,468             | 45,868             | 39,3               | 1 000 | 13,00 | 505-050-210             |
| 50 x 8      | 45,468             | 45,868             | 39,3               | 2 000 | 26,00 | 505-050-220             |
| 50 x 8      | 45,468             | 45,868             | 39,3               | 3 000 | 39,00 | 505-050-230             |





## Rostfreie Trapezgewindespindeln - gewirbelt, rechtsgängig Stainless Steel Lead Screws - Whirled Finish, Right Hand



DIN | DIN

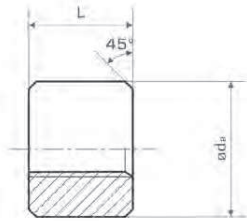
103

Qualität | quality  
Material | material

7e  
1.4305 [X8 CrNiS 18-9]

| Tr<br>d x p | d <sub>2</sub> min | d <sub>2</sub> max | d <sub>3</sub> min | L     | [kg]  | Bestell Nr.<br>Part No. |
|-------------|--------------------|--------------------|--------------------|-------|-------|-------------------------|
| 12 x 3      | 10,191             | 10,415             | 8,14               | 1 000 | 0,75  | 501-012-210             |
| 12 x 3      | 10,191             | 10,415             | 8,14               | 2 000 | 1,50  | 501-012-220             |
| 12 x 3      | 10,191             | 10,415             | 8,14               | 3 000 | 2,25  | 501-012-230             |
| 16 x 4      | 13,640             | 13,905             | 11,07              | 1 000 | 1,20  | 501-016-210             |
| 16 x 4      | 13,640             | 13,905             | 11,07              | 2 000 | 2,40  | 501-016-220             |
| 16 x 4      | 13,640             | 13,905             | 11,07              | 3 000 | 3,60  | 501-016-230             |
| 18 x 4      | 15,640             | 15,905             | 13,07              | 1 000 | 1,58  | 501-018-210             |
| 18 x 4      | 15,640             | 15,905             | 13,07              | 2 000 | 3,16  | 501-018-220             |
| 18 x 4      | 15,640             | 15,905             | 13,07              | 3 000 | 4,74  | 501-018-230             |
| 20 x 4      | 17,640             | 17,905             | 15,18              | 1 000 | 2,00  | 501-020-210             |
| 20 x 4      | 17,640             | 17,905             | 15,18              | 2 000 | 4,00  | 501-020-220             |
| 20 x 4      | 17,640             | 17,905             | 15,18              | 3 000 | 6,00  | 501-020-230             |
| 24 x 5      | 21,094             | 21,394             | 18,02              | 1 000 | 2,70  | 501-024-210             |
| 24 x 5      | 21,094             | 21,394             | 18,02              | 2 000 | 5,40  | 501-024-220             |
| 24 x 5      | 21,094             | 21,394             | 18,02              | 3 000 | 8,10  | 501-024-230             |
| 26 x 5      | 23,094             | 23,394             | 20,02              | 1 000 | 3,26  | 501-026-210             |
| 26 x 5      | 23,094             | 23,394             | 20,02              | 2 000 | 6,52  | 501-026-220             |
| 26 x 5      | 23,094             | 23,394             | 20,02              | 3 000 | 9,78  | 501-026-230             |
| 28 x 5      | 25,094             | 25,394             | 22,02              | 1 000 | 3,85  | 501-028-210             |
| 28 x 5      | 25,094             | 25,394             | 22,02              | 2 000 | 7,70  | 501-028-220             |
| 28 x 5      | 25,094             | 25,394             | 22,02              | 3 000 | 11,55 | 501-028-230             |
| 30 x 6      | 26,547             | 26,882             | 22,46              | 1 000 | 4,50  | 501-030-210             |
| 30 x 6      | 26,547             | 26,882             | 22,46              | 2 000 | 9,00  | 501-030-220             |
| 30 x 6      | 26,547             | 26,882             | 22,46              | 3 000 | 13,50 | 501-030-230             |
| 32 x 6      | 28,547             | 28,882             | 24,46              | 1 000 | 5,18  | 501-032-210             |
| 32 x 6      | 28,547             | 28,882             | 24,46              | 2 000 | 10,36 | 501-032-220             |
| 32 x 6      | 28,547             | 28,882             | 24,46              | 3 000 | 15,54 | 501-032-230             |
| 36 x 6      | 32,547             | 32,882             | 28,46              | 1 000 | 6,70  | 501-036-210             |
| 36 x 6      | 32,547             | 32,882             | 28,46              | 2 000 | 13,40 | 501-036-220             |
| 36 x 6      | 32,547             | 32,882             | 28,46              | 3 000 | 20,10 | 501-036-230             |
| 40 x 7      | 36,020             | 36,375             | 31,43              | 1 000 | 8,00  | 501-040-210             |
| 40 x 7      | 36,020             | 36,375             | 31,43              | 2 000 | 16,00 | 501-040-220             |
| 40 x 7      | 36,020             | 36,375             | 31,43              | 3 000 | 24,00 | 501-040-230             |
| 50 x 8      | 45,468             | 45,868             | 40,37              | 1 000 | 13,00 | 501-050-210             |
| 50 x 8      | 45,468             | 45,868             | 40,37              | 2 000 | 26,00 | 501-050-220             |
| 50 x 8      | 45,468             | 45,868             | 40,37              | 3 000 | 39,00 | 501-050-230             |

## Trapezgewindemuttern - rechtsgängig Threaded Nuts - Right Hand



DIN | DIN

103

Qualität | quality

8 H

Gewindemuttern-Rohlinge, rund

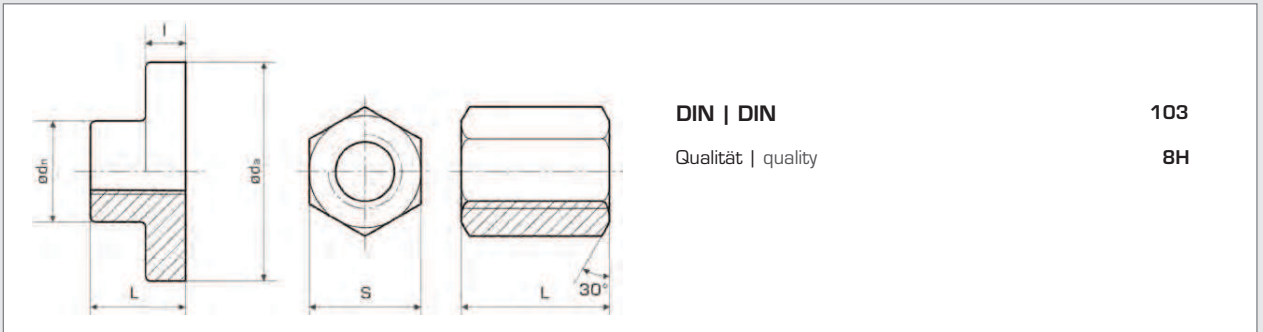
cast finish, round



|             |     | Bestell Nr. |               |             |             |               |     | Part No.    |  |
|-------------|-----|-------------|---------------|-------------|-------------|---------------|-----|-------------|--|
|             |     | ● 1.0715 ●  | PETP ●        | GG 25 ●     | Rg 7 ●      | ● 1.0715      |     |             |  |
| Tr<br>d x p | da  | L           | [9 S Mn 28 K] |             |             | [9 S Mn 28 K] |     |             |  |
|             |     |             | St            | synt. mat.  | cast iron   | Bronze        | L   | St          |  |
| 10 x 3      | 22  | 20          | 511-010-100   |             | 511-010-500 | 511-010-600   | 15  | 511-010-110 |  |
| 12 x 3      | 26  | 24          | 511-012-100   | 511-012-800 | 511-012-500 | 511-012-600   | 18  | 511-012-110 |  |
| 14 x 3      | 30  | 28          | 511-014-100   |             | 511-014-500 | 511-014-600   | 21  | 511-014-110 |  |
| 16 x 4      | 36  | 32          | 511-016-100   | 511-016-800 | 511-016-500 | 511-016-600   | 24  | 511-016-110 |  |
| 18 x 4      | 40  | 36          | 511-018-100   |             | 511-018-500 | 511-018-600   | 27  | 511-018-110 |  |
| 20 x 4      | 45  | 40          | 511-020-100   | 511-020-800 | 511-020-500 | 511-020-600   | 30  | 511-020-110 |  |
| 22 x 5      | 45  | 44          | 511-022-100   |             | 511-022-500 | 511-022-600   | 33  | 511-022-110 |  |
| 24 x 5      | 50  | 48          | 511-024-100   | 511-024-800 | 511-024-500 | 511-024-600   | 36  | 511-024-110 |  |
| 26 x 5      | 55  | 52          | 511-026-100   |             | 511-026-500 | 511-026-600   | 39  | 511-026-110 |  |
| 28 x 5      | 60  | 56          | 511-028-100   |             | 511-028-500 | 511-028-600   | 42  | 511-028-110 |  |
| 30 x 6      | 60  | 60          | 511-030-100   | 511-030-800 | 511-030-500 | 511-030-600   | 45  | 511-030-110 |  |
| 32 x 6      | 60  | 64          | 511-032-100   |             | 511-032-500 | 511-032-600   | 48  | 511-032-110 |  |
| 36 x 6      | 75  | 72          | 511-036-100   | 511-036-800 | 511-036-500 | 511-036-600   | 54  | 511-036-110 |  |
| 40 x 7      | 80  | 80          | 511-040-100   | 511-040-800 | 511-040-500 | 511-040-600   | 60  | 511-040-110 |  |
| 44 x 7      | 80  | 88          | 511-044-100   |             | 511-044-500 | 511-044-600   | 66  | 511-044-110 |  |
| 48 x 8      | 90  | 96          | 511-048-100   |             | 511-048-500 | 511-048-600   | 72  | 511-048-110 |  |
| 50 x 8      | 90  | 100         | 511-050-100   | 511-050-800 | 511-050-500 | 511-050-600   | 75  | 511-050-110 |  |
| 60 x 9      | 100 | 120         | 511-060-100   |             | 511-060-500 | 511-060-600   | 90  | 511-060-110 |  |
| 70 x 10     | 110 | 140         | 511-070-100   |             | 511-070-500 | 511-070-600   | 105 | 511-070-110 |  |

## Trapezgewindemuttern - rechtsgängig

### Threaded Nuts - Right Hand



#### Gewindemuttern-Rohlinge

cast finish

Flansch | flange

sechskant | hexagonal

Bestell Nr.

Part No.

GG 25

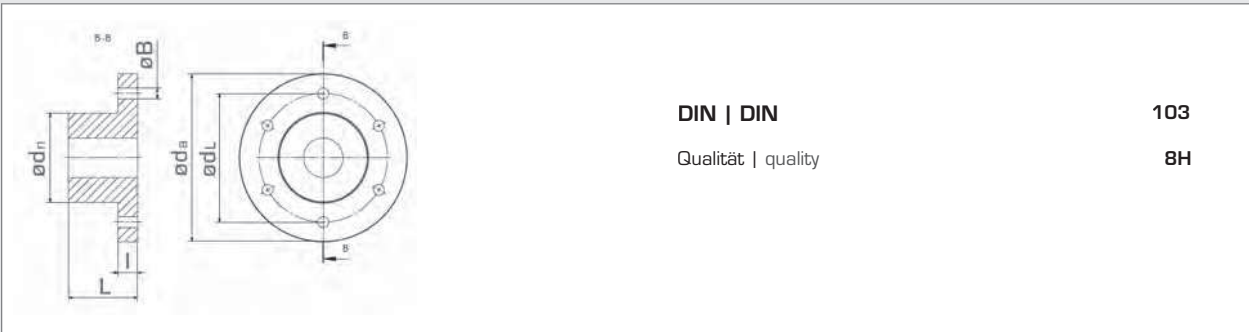
Rg 7

1.0715

[9 S Mn 28 K]

| Tr<br>d x p | L  | l  | d <sub>a</sub> | d <sub>n</sub> | cast iron   | Bronze      | L   | S  | St          |
|-------------|----|----|----------------|----------------|-------------|-------------|-----|----|-------------|
| 10 x 3      | 15 | 6  | 35             | 20             | 511-010-570 | 511-010-670 | 15  | 17 | 511-010-150 |
| 12 x 3      | 20 | 7  | 42             | 24             | 511-012-570 | 511-012-670 | 18  | 19 | 511-012-150 |
| 14 x 3      | 24 | 10 | 52             | 30             | 511-014-570 | 511-014-670 | 21  | 22 | 511-014-150 |
| 16 x 4      | 24 | 10 | 52             | 30             | 511-016-570 | 511-016-670 | 24  | 27 | 511-016-150 |
| 18 x 4      | 26 | 11 | 62             | 38             | 511-018-570 | 511-018-670 | 27  | 27 | 511-018-150 |
| 20 x 4      | 26 | 11 | 62             | 38             | 511-020-570 | 511-020-670 | 30  | 30 | 511-020-150 |
| 22 x 5      | 33 | 13 | 77             | 50             | 511-022-570 | 511-022-670 | 33  | 32 | 511-022-150 |
| 24 x 5      | 33 | 13 | 77             | 50             | 511-024-570 | 511-024-670 | 36  | 36 | 511-024-150 |
| 26 x 5      | 33 | 13 | 77             | 50             | 511-026-570 | 511-026-670 | 42  | 41 | 511-026-150 |
| 28 x 5      | 48 | 15 | 90             | 58             | 511-028-570 | 511-028-670 | 42  | 41 | 511-028-150 |
| 30 x 6      | 48 | 15 | 90             | 58             | 511-030-570 | 511-030-670 | 45  | 46 | 511-030-150 |
| 32 x 6      | 60 | 20 | 115            | 80             | 511-032-570 | 511-032-670 | 48  | 46 | 511-032-150 |
| 36 x 6      | 60 | 20 | 115            | 80             | 511-036-570 | 511-036-670 | 54  | 55 | 511-036-150 |
| 40 x 7      | 65 | 20 | 140            | 80             | 511-040-570 | 511-040-670 | 60  | 65 | 511-040-150 |
| 44 x 7      | 65 | 20 | 140            | 80             | 511-044-570 | 511-044-670 | 66  | 65 | 511-044-150 |
| 48 x 8      | 70 | 20 | 170            | 90             | 511-048-570 | 511-048-670 | 72  | 75 | 511-048-150 |
| 50 x 8      | 70 | 20 | 170            | 90             | 511-050-570 | 511-050-670 | 75  | 75 | 511-050-150 |
| 60 x 9      |    |    |                |                |             |             | 90  | 90 | 511-060-150 |
| 70 x 10     |    |    |                |                |             |             | 105 | 90 | 511-070-150 |

**NEU! Einbaufertige Trapezgewindemuttern - rechtsgängig**  
**NEW! Ready-to-Install Threaded Nuts - Right Hand**



Flanschmuttern, einbaufertig bearbeitet

flange nuts, ready-to-install

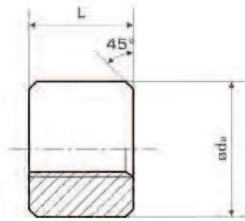
Bestell Nr.  
 Part No.



| $\frac{Tr}{d \times p}$ | L  | I  | $d_a$ | $d_n$ | $6 \times \varnothing B$ | $\varnothing d_L$ | Bronze      |
|-------------------------|----|----|-------|-------|--------------------------|-------------------|-------------|
| 12 x 3                  | 20 | 7  | 42    | 24    | 4,5                      | 33                | 511-012-673 |
| 14 x 3                  | 24 | 10 | 52    | 30    | 5,5                      | 41                | 511-014-673 |
| 16 x 4                  | 24 | 10 | 52    | 30    | 5,5                      | 41                | 511-016-673 |
| 18 x 4                  | 26 | 11 | 62    | 38    | 6,6                      | 50                | 511-018-673 |
| 20 x 4                  | 26 | 11 | 62    | 38    | 6,6                      | 50                | 511-020-673 |
| 22 x 5                  | 33 | 13 | 77    | 50    | 6,6                      | 65                | 511-022-673 |
| 24 x 5                  | 33 | 13 | 77    | 50    | 6,6                      | 65                | 511-024-673 |
| 26 x 5                  | 33 | 13 | 77    | 50    | 6,6                      | 65                | 511-026-673 |
| 28 x 5                  | 48 | 15 | 90    | 58    | 6,6                      | 75                | 511-028-673 |
| 30 x 6                  | 48 | 15 | 90    | 58    | 6,6                      | 75                | 511-030-673 |
| 32 x 6                  | 60 | 20 | 115   | 80    | 6,6                      | 100               | 511-032-673 |
| 36 x 6                  | 60 | 20 | 115   | 80    | 6,6                      | 100               | 511-036-673 |
| 40 x 7                  | 65 | 20 | 140   | 80    | 11                       | 110               | 511-040-673 |
| 44 x 7                  | 65 | 20 | 140   | 80    | 11                       | 110               | 511-044-673 |
| 48 x 8                  | 70 | 20 | 170   | 90    | 11                       | 130               | 511-048-673 |
| 50 x 8                  | 70 | 20 | 170   | 90    | 11                       | 130               | 511-050-673 |

## Trapezgewindemuttern - linksgängig

### Threaded Nuts - Left Hand



DIN | DIN

103

Qualität | quality

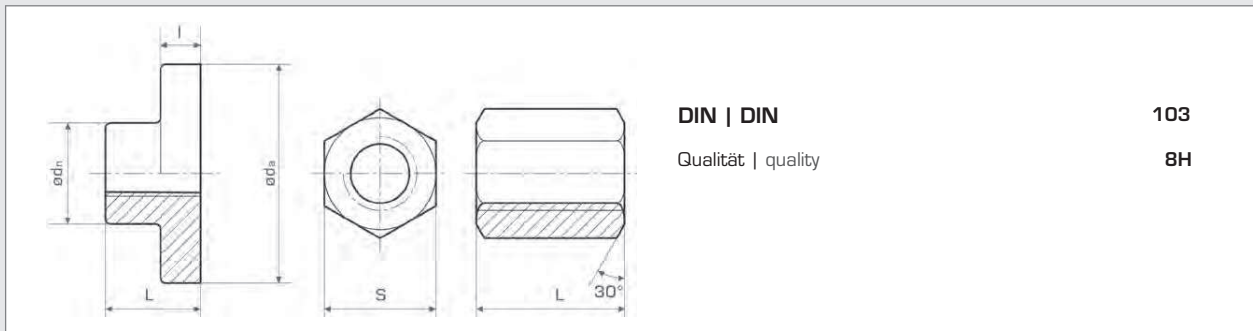
8H

Gewindemuttern-Rohlinge, rund

cast finish, round

| Tr<br>d x p | d <sub>a</sub> | L   | Bestell Nr.         |             |             | Part No. |                     |
|-------------|----------------|-----|---------------------|-------------|-------------|----------|---------------------|
|             |                |     | ● 1.0715            | ● GG 25     | ● Rg 7      | ● 1.0715 |                     |
|             |                |     | [9 S Mn 28 K]<br>St | cast iron   | Bronze      | L        | [9 S Mn 28 K]<br>St |
| 10 x 3      | 22             | 20  | 516-010-100         | 516-010-500 | 516-010-600 | 15       | 516-010-110         |
| 12 x 3      | 26             | 24  | 516-012-100         | 516-012-500 | 516-012-600 | 18       | 516-012-110         |
| 14 x 3      | 30             | 28  | 516-014-100         | 516-014-500 | 516-014-600 | 21       | 516-014-110         |
| 16 x 4      | 36             | 32  | 516-016-100         | 516-016-500 | 516-016-600 | 24       | 516-016-110         |
| 18 x 4      | 40             | 36  | 516-018-100         | 516-018-500 | 516-018-600 | 27       | 516-018-110         |
| 20 x 4      | 45             | 40  | 516-020-100         | 516-020-500 | 516-020-600 | 30       | 516-020-110         |
| 22 x 5      | 45             | 44  | 516-022-100         | 516-022-500 | 516-022-600 | 33       | 516-022-110         |
| 24 x 5      | 50             | 48  | 516-024-100         | 516-024-500 | 516-024-600 | 36       | 516-024-110         |
| 26 x 5      | 55             | 52  | 516-026-100         | 516-026-500 | 516-026-600 | 39       | 516-026-110         |
| 28 x 5      | 60             | 56  | 516-028-100         | 516-028-500 | 516-028-600 | 42       | 516-028-110         |
| 30 x 6      | 60             | 60  | 516-030-100         | 516-030-500 | 516-030-600 | 45       | 516-030-110         |
| 32 x 6      | 60             | 64  | 516-032-100         | 516-032-500 | 516-032-600 | 48       | 516-032-110         |
| 36 x 6      | 75             | 72  | 516-036-100         | 516-036-500 | 516-036-600 | 54       | 516-036-110         |
| 40 x 7      | 80             | 80  | 516-040-100         | 516-040-500 | 516-040-600 | 60       | 516-040-110         |
| 44 x 7      | 80             | 88  | 516-044-100         | 516-044-500 | 516-044-600 | 66       | 516-044-110         |
| 48 x 8      | 90             | 96  | 516-048-100         | 516-048-500 | 516-048-600 | 72       | 516-048-110         |
| 50 x 8      | 90             | 100 | 516-050-100         | 516-050-500 | 516-050-600 | 75       | 516-050-110         |
| 60 x 9      | 100            | 120 | 516-060-100         | 516-060-500 | 516-060-600 | 90       | 516-060-110         |
| 70 x 10     | 110            | 140 | 516-070-100         | 516-070-500 | 516-070-600 | 105      | 516-070-110         |

## Trapezgewindemuttern - linksgängig Threaded Nuts - Left Hand



### Gewindemuttern-Rohlinge

cast finish

Flansch | flange

sechskant | hexagonal

Bestell Nr.

Part No.



GG 25



Rg 7



1.0715

[9 S Mn 28 K]

| Tr<br>d x p | L  | l  | d <sub>a</sub> | d <sub>n</sub> | Bestell Nr. |             | L  | S  | Part No.    |
|-------------|----|----|----------------|----------------|-------------|-------------|----|----|-------------|
|             |    |    |                |                | GG 25       | Rg 7        |    |    |             |
|             |    |    |                |                | cast iron   | Bronze      |    |    | St          |
| 10 x 3      | 15 | 6  | 35             | 20             | 516-010-570 | 516-010-670 | 15 | 17 | 516-010-150 |
| 12 x 3      | 20 | 7  | 42             | 24             | 516-012-570 | 516-012-670 | 18 | 19 | 516-012-150 |
| 14 x 3      | 24 | 10 | 52             | 30             | 516-014-570 | 516-014-670 | 21 | 22 | 516-014-150 |
| 16 x 4      | 24 | 10 | 52             | 30             | 516-016-570 | 516-016-670 | 24 | 27 | 516-016-150 |
| 18 x 4      | 26 | 11 | 62             | 38             | 516-018-570 | 516-018-670 | 27 | 27 | 516-018-150 |
| 20 x 4      | 26 | 11 | 62             | 38             | 516-020-570 | 516-020-670 | 30 | 30 | 516-020-150 |
| 22 x 5      | 33 | 13 | 77             | 50             | 516-022-570 | 516-022-670 | 33 | 32 | 516-022-150 |
| 24 x 5      | 33 | 13 | 77             | 50             | 516-024-570 | 516-024-670 | 36 | 36 | 516-024-150 |
| 26 x 5      | 33 | 13 | 77             | 50             | 516-026-570 | 516-026-670 | 42 | 41 | 516-026-150 |
| 28 x 5      | 48 | 15 | 90             | 58             | 516-028-570 | 516-028-670 | 42 | 41 | 516-028-150 |
| 30 x 6      | 48 | 15 | 90             | 58             | 516-030-570 | 516-030-670 | 45 | 46 | 516-030-150 |
| 32 x 6      | 60 | 20 | 115            | 80             | 516-032-570 | 516-032-670 | 48 | 46 | 516-032-150 |
| 36 x 6      | 60 | 20 | 115            | 80             | 516-036-570 | 516-036-670 | 54 | 55 | 516-036-150 |
| 40 x 7      | 65 | 20 | 140            | 80             | 516-040-570 | 516-040-670 | 60 | 65 | 516-040-150 |
| 44 x 7      | 65 | 20 | 140            | 80             | 516-044-570 | 516-044-670 | 66 | 65 | 516-044-150 |
| 48 x 8      | 70 | 20 | 170            | 90             | 516-048-570 | 516-048-670 | 72 | 75 | 516-048-150 |
| 50 x 8      | 70 | 20 | 170            | 90             | 516-050-570 | 516-050-670 | 75 | 75 | 516-050-150 |
| 60 x 9      |    |    |                |                |             |             | 90 | 90 | 516-060-150 |



NEU! Einbaufertige Trapezgewindemuttern - linksgängig

NEW! Ready-to-Install Threaded Nuts - Left Hand



Flanschmuttern, einbaufertig bearbeitet

flange nuts, ready-to-install

Bestell Nr.  
Part No.

Rg 7

| Tr<br>d x p | L  | l  | d <sub>a</sub> | d <sub>n</sub> | 6xØB | Ød <sub>L</sub> | Bronze      |
|-------------|----|----|----------------|----------------|------|-----------------|-------------|
| 12 x 3      | 20 | 7  | 42             | 24             | 4,5  | 33              | 516-012-673 |
| 14 x 3      | 24 | 10 | 52             | 30             | 5,5  | 41              | 516-014-673 |
| 16 x 4      | 24 | 10 | 52             | 30             | 5,5  | 41              | 516-016-673 |
| 18 x 4      | 26 | 11 | 62             | 38             | 6,6  | 50              | 516-018-673 |
| 20 x 4      | 26 | 11 | 62             | 38             | 6,6  | 50              | 516-020-673 |
| 22 x 5      | 33 | 13 | 77             | 50             | 6,6  | 65              | 516-022-673 |
| 24 x 5      | 33 | 13 | 77             | 50             | 6,6  | 65              | 516-024-673 |
| 26 x 5      | 33 | 13 | 77             | 50             | 6,6  | 65              | 516-026-673 |
| 28 x 5      | 48 | 15 | 90             | 58             | 6,6  | 75              | 516-028-673 |
| 30 x 6      | 48 | 15 | 90             | 58             | 6,6  | 75              | 516-030-673 |
| 32 x 6      | 60 | 20 | 115            | 80             | 6,6  | 100             | 516-032-673 |
| 36 x 6      | 60 | 20 | 115            | 80             | 6,6  | 100             | 516-036-673 |
| 40 x 7      | 65 | 20 | 140            | 80             | 11   | 110             | 516-040-673 |
| 44 x 7      | 65 | 20 | 140            | 80             | 11   | 110             | 516-044-673 |
| 48 x 8      | 70 | 20 | 170            | 90             | 11   | 130             | 516-048-673 |
| 50 x 8      | 70 | 20 | 170            | 90             | 11   | 130             | 516-050-673 |

➤ Made by WMH Herion ...

part of your drive.

