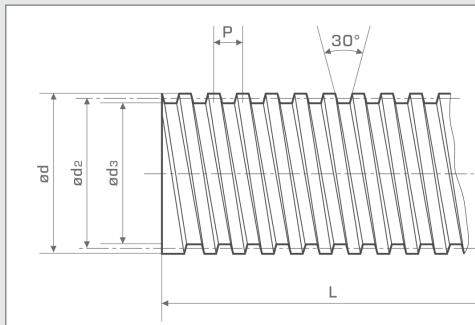


Rostfreie Trapezgewindespindeln - gewirbelt, rechtsgängig Stainless Steel Lead Screws - Whirled Finish, Right Hand



DIN | DIN

103

Qualität | quality
Material | material

7e
1.4305 [X8 CrNiS 18-9]

| Tr d x p | d ₂ min | d ₂ max | d ₃ min | L | [kg] | Bestell Nr. Part No. |
|-------------|--------------------|--------------------|--------------------|-------|-------|-------------------------|
| 12 x 3 | 10,191 | 10,415 | 8,14 | 1 000 | 0,75 | 501-012-210 |
| 12 x 3 | 10,191 | 10,415 | 8,14 | 2 000 | 1,50 | 501-012-220 |
| 12 x 3 | 10,191 | 10,415 | 8,14 | 3 000 | 2,25 | 501-012-230 |
| 16 x 4 | 13,640 | 13,905 | 11,07 | 1 000 | 1,20 | 501-016-210 |
| 16 x 4 | 13,640 | 13,905 | 11,07 | 2 000 | 2,40 | 501-016-220 |
| 16 x 4 | 13,640 | 13,905 | 11,07 | 3 000 | 3,60 | 501-016-230 |
| 18 x 4 | 15,640 | 15,905 | 13,07 | 1 000 | 1,58 | 501-018-210 |
| 18 x 4 | 15,640 | 15,905 | 13,07 | 2 000 | 3,16 | 501-018-220 |
| 18 x 4 | 15,640 | 15,905 | 13,07 | 3 000 | 4,74 | 501-018-230 |
| 20 x 4 | 17,640 | 17,905 | 15,18 | 1 000 | 2,00 | 501-020-210 |
| 20 x 4 | 17,640 | 17,905 | 15,18 | 2 000 | 4,00 | 501-020-220 |
| 20 x 4 | 17,640 | 17,905 | 15,18 | 3 000 | 6,00 | 501-020-230 |
| 24 x 5 | 21,094 | 21,394 | 18,02 | 1 000 | 2,70 | 501-024-210 |
| 24 x 5 | 21,094 | 21,394 | 18,02 | 2 000 | 5,40 | 501-024-220 |
| 24 x 5 | 21,094 | 21,394 | 18,02 | 3 000 | 8,10 | 501-024-230 |
| 26 x 5 | 23,094 | 23,394 | 20,02 | 1 000 | 3,26 | 501-026-210 |
| 26 x 5 | 23,094 | 23,394 | 20,02 | 2 000 | 6,52 | 501-026-220 |
| 26 x 5 | 23,094 | 23,394 | 20,02 | 3 000 | 9,78 | 501-026-230 |
| 28 x 5 | 25,094 | 25,394 | 22,02 | 1 000 | 3,85 | 501-028-210 |
| 28 x 5 | 25,094 | 25,394 | 22,02 | 2 000 | 7,70 | 501-028-220 |
| 28 x 5 | 25,094 | 25,394 | 22,02 | 3 000 | 11,55 | 501-028-230 |
| 30 x 6 | 26,547 | 26,882 | 22,46 | 1 000 | 4,50 | 501-030-210 |
| 30 x 6 | 26,547 | 26,882 | 22,46 | 2 000 | 9,00 | 501-030-220 |
| 30 x 6 | 26,547 | 26,882 | 22,46 | 3 000 | 13,50 | 501-030-230 |
| 32 x 6 | 28,547 | 28,882 | 24,46 | 1 000 | 5,18 | 501-032-210 |
| 32 x 6 | 28,547 | 28,882 | 24,46 | 2 000 | 10,36 | 501-032-220 |
| 32 x 6 | 28,547 | 28,882 | 24,46 | 3 000 | 15,54 | 501-032-230 |
| 36 x 6 | 32,547 | 32,882 | 28,46 | 1 000 | 6,70 | 501-036-210 |
| 36 x 6 | 32,547 | 32,882 | 28,46 | 2 000 | 13,40 | 501-036-220 |
| 36 x 6 | 32,547 | 32,882 | 28,46 | 3 000 | 20,10 | 501-036-230 |
| 40 x 7 | 36,020 | 36,375 | 31,43 | 1 000 | 8,00 | 501-040-210 |
| 40 x 7 | 36,020 | 36,375 | 31,43 | 2 000 | 16,00 | 501-040-220 |
| 40 x 7 | 36,020 | 36,375 | 31,43 | 3 000 | 24,00 | 501-040-230 |
| 50 x 8 | 45,468 | 45,868 | 40,37 | 1 000 | 13,00 | 501-050-210 |
| 50 x 8 | 45,468 | 45,868 | 40,37 | 2 000 | 26,00 | 501-050-220 |
| 50 x 8 | 45,468 | 45,868 | 40,37 | 3 000 | 39,00 | 501-050-230 |