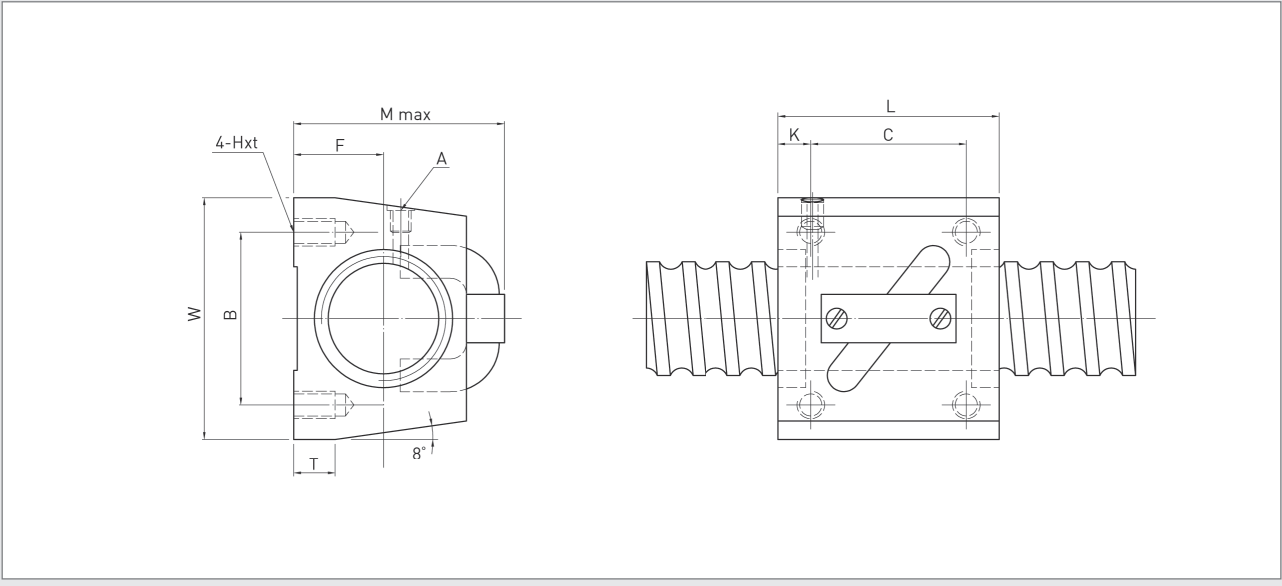


# Kugelgewindemuttern - rechtsgängig, Standardprogramm

## Ball Screw Nuts - Right Hand, Standard Range



Block-Einzelmutter SSV für gerollte Kugelgewindespindeln

square single nut SSV for rolled ball screws

Ku d x p	Kugel-Ø Ball Ø	Umläufe Circuits	W	F	H x t	L	B	C	K	T	A	M (max)	C <sub>a</sub>	C <sub>0</sub>	Bestell Nr. Part No.
14 x 5	3,175	2,5 x 1	34	13	M4 x 7	35	26	22	6,5	6,0	M6	31	6 237	10 738	R14-5B1-SSV
16 x 5	3,175	2,5 x 1	42	16	M5 x 8	36	32	22	6,0	21,5	M6	32,5	6 659	12 023	R16-5B1-SSV
20 x 5	3,175	2,5 x 1	48	17	M6 x 10	35	35	22	5,0	9,0	M6	39	7 306	14 965	R20-5B1-SSV
25 x 5	3,175	2,5 x 1	60	20	M8 x 12	35	40	22	7,0	9,5	M6	45	8 287	19 486	R25-5B1-SSV
25 x 10	4,763	2,5 x 2	60	23	M8 x 12	94	40	60	10,0	10,0	M6	54	25 978	58 506	R25-10B2-SSV
32 x 5	6,350	2,5 x 2	70	26	M8 x 12	94	50	60	10,0	12,0	M6	62	9 414	20 074	R32-5B1-SSV
32 x 10	6,350	2,5 x 2	70	26	M8 x 12	94	50	60	10,0	12,0	M6	67	42 943	101 450	R32-10B2-SSV
36 x 10	6,350	2,5 x 2	86	29	M10 x 16	96	60	60	11,0	17,0	M6	67	45 032	111 825	R36-10B2-SSV

dynamische Tragzahl | dynamic load      C<sub>a</sub>      [N]  
 statische Tragzahl | static load          C<sub>0</sub>      [N]