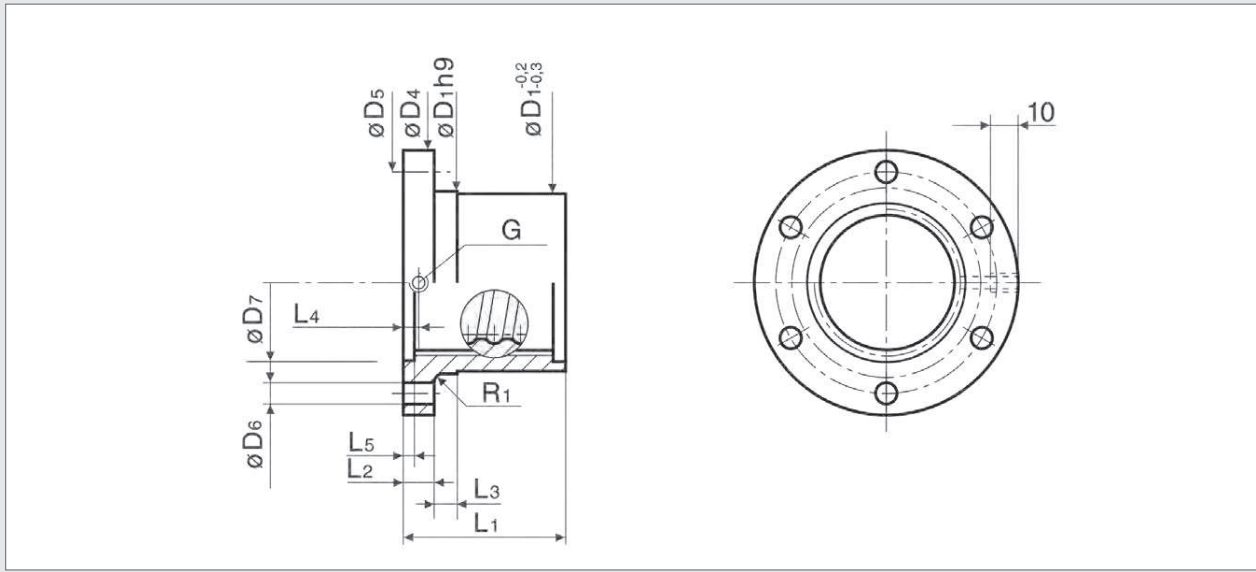


Kugelgewindemuttern - rechtsgängig, Standardprogramm Ball Screw Nuts - Right Hand, Standard Range



Flansch-Einzelmutter FSR für gerollte Kugelgewindespindeln

flange single nut FSR for rolled ball screws

Ku d x p	Umläufe Circuits	D ₁	D ₄	D ₅	D ₆	D ₇	L ₁	L ₂	L ₃	L ₄	L ₅	G	C _a	C ₀	Bestell Nr. Part No.
12 x 5	3	20	40	32	5,0	18	36	10	12	6,0	3	M6	2 599	4 521	R12-5T3-FSR
16 x 5	3	28	48	38	5,5	22	44	12	10	6,0	3	M6x1	6 512	11 719	R16-5T3-FSR
20 x 5	3	32	55	45	7,0	26	44	12	8	6,0	3	M6x1	7 188	14 661	R20-5T3-FSR
25 x 5	3	38	62	50	6,6	31	46	14	8	7,0	3	M6x1	8 620	20 417	R25-5T3-FSR
25 x 10	3	45	72	57	6,6	31	65	10	15	5,0	3	M6x1	14 024	28 567	R25-10T3-FSR
32 x 5	3	45	70	58	7,0	38	59	16	10	8,0	3	M6x1	9 885	27 184	R32-5T3-FSR
32 x 10	3	53	80	68	7,0	38	73	16	10	8,0	3	M6x1	22 202	47 101	R32-10T3-FSR
40 x 5	4	53	80	68	7,0	46	59	16	10	8,0	3	M8x1	13 867	45 317	R40-5T4-FSR
40 x 10	4	63	95	78	9,0	52	73	15	10	7,5	5	M8x1	33 303	83 239	R40-10T4-FSR
50 x 10	3	72	110	90	11,0	62	97	18	16	9,0	5	M8x1	29 861	81 729	R50-10T3-FSR
63 x 10	5	85	125	105	11,0	74	99	20	10	10,0	5	M8x1	51 907	174 960	R63-10T5-FSR
80 x 10	5	105	145	125	14,0	93	101	20	10	10,0	5	M8x1	59 458	232 977	R80-10T5-FSR

dynamische Tragzahl | dynamic load
 statische Tragzahl | static load

C_a [N]
 C₀ [N]