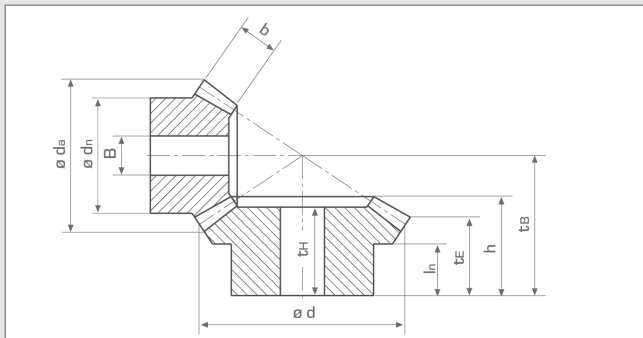


# Kegelräder Bevel Gears



**Übersetzung | ratio**

**i = 1:1,5**

geradverzahnt | straight teeth  
Eingriffswinkel | pressure angle  
Achsenwinkel | shaft angle  
mit balligtragenden Zahnflanken  
with crowned tooth bearing  
Material | material

**20°  
90°**

**1.0503 [C45]**

| Modul<br>Module | Zähnezahl<br>No. teeth | d <sub>a</sub> | d     | b    | l <sub>n</sub> | d <sub>n</sub> | B    | t <sub>B</sub> | h    | t <sub>H</sub> | t <sub>E</sub> | [kg]  | Bestell Nr.<br>Part No. |
|-----------------|------------------------|----------------|-------|------|----------------|----------------|------|----------------|------|----------------|----------------|-------|-------------------------|
| 1,0             | 16                     | 17,66          | 16,0  | 4,5  | 7,2            | 13,5           | 5,0  | 20,0           | 12,1 | 11,0           | 8,55           | 0,011 | 151-210-016             |
|                 | 24                     | 25,11          | 24,0  | 4,5  | 9,7            | 21,0           | 6,0  | 20,0           | 15,1 | 13,5           | 12,83          | 0,035 | 151-210-024             |
| 1,5             | 16                     | 26,50          | 24,0  | 7,0  | 10,6           | 20,0           | 8,0  | 30,0           | 18,4 | 17,0           | 12,83          | 0,036 | 151-215-016             |
|                 | 24                     | 37,66          | 36,0  | 7,0  | 12,0           | 26,0           | 8,0  | 27,0           | 19,7 | 17,5           | 16,25          | 0,080 | 151-215-024             |
| 2,0             | 16                     | 35,33          | 32,0  | 10,0 | 12,0           | 26,0           | 10,0 | 38,0           | 23,0 | 21,0           | 15,11          | 0,080 | 151-220-016             |
|                 | 24                     | 50,22          | 48,0  | 10,0 | 15,0           | 35,0           | 12,0 | 35,0           | 25,6 | 23,0           | 20,66          | 0,185 | 151-220-024             |
| 2,5             | 16                     | 44,16          | 40,0  | 12,5 | 13,3           | 32,0           | 12,0 | 46,0           | 27,3 | 25,0           | 17,39          | 0,146 | 151-225-016             |
|                 | 24                     | 62,77          | 60,0  | 12,5 | 16,0           | 42,0           | 14,0 | 42,0           | 30,2 | 27,0           | 24,08          | 0,340 | 151-225-024             |
| 3,0             | 16                     | 53,00          | 48,0  | 14,5 | 15,3           | 40,0           | 14,0 | 54,0           | 31,2 | 28,0           | 19,66          | 0,255 | 151-230-016             |
|                 | 24                     | 75,33          | 72,0  | 14,5 | 18,0           | 50,0           | 16,0 | 49,0           | 34,7 | 30,0           | 27,50          | 0,555 | 151-230-024             |
| 3,5             | 16                     | 61,82          | 56,0  | 17,0 | 17,0           | 47,0           | 16,0 | 62,0           | 35,4 | 32,0           | 21,94          | 0,400 | 151-235-016             |
|                 | 24                     | 87,88          | 84,0  | 17,0 | 21,0           | 58,0           | 18,0 | 57,0           | 40,3 | 36,0           | 31,91          | 0,905 | 151-235-024             |
| 4,0             | 16                     | 70,66          | 64,0  | 19,0 | 18,7           | 54,0           | 18,0 | 70,0           | 39,3 | 35,0           | 24,22          | 0,584 | 151-240-016             |
|                 | 24                     | 100,44         | 96,0  | 19,0 | 24,0           | 66,0           | 20,0 | 65,0           | 45,8 | 40,0           | 36,33          | 1,330 | 151-240-024             |
| 4,5             | 16                     | 79,49          | 72,0  | 21,5 | 21,0           | 60,0           | 20,0 | 79,0           | 44,5 | 40,0           | 27,50          | 0,833 | 151-245-016             |
|                 | 24                     | 113,00         | 108,0 | 21,5 | 26,0           | 75,0           | 25,0 | 73,0           | 51,4 | 45,0           | 40,74          | 1,88  | 151-245-024             |
| 5,0             | 16                     | 88,32          | 80,0  | 24,0 | 23,0           | 65,0           | 22,0 | 88,0           | 49,8 | 45,0           | 30,77          | 1,13  | 151-250-016             |
|                 | 24                     | 25,55          | 120,0 | 24,0 | 28,0           | 85,0           | 30,0 | 80,0           | 56,1 | 49,0           | 44,16          | 2,55  | 151-250-024             |
| 6,0             | 16                     | 105,98         | 96,0  | 28,5 | 24,7           | 80,0           | 25,0 | 102,0          | 55,9 | 50,0           | 33,33          | 2,05  | 151-260-016             |
|                 | 24                     | 150,66         | 144,0 | 28,5 | 32,0           | 105,0          | 35,0 | 90,0           | 61,1 | 52,5           | 46,99          | 4,18  | 151-260-024             |



Auf Wunsch erhalten Sie unsere Kegelräder auch in gehärteter Ausführung (HRC 52±2); für Anfragen und Bestellungen ersetzen Sie bitte die drittletzte Ziffer "0" durch "4".

Bestellbeispiel: gehärtetes Kegelrad Modul 4, Übersetzung 1:1,5, 16 Zähne: 151-240-416

Upon request, our bevel gears are also available in hardened design (HRC 52±2); for inquiries and orders please replace the third last digit "0" with "4".

Order example: hardened bevel gear module 4, ratio 1:1,5, 16 teeth: 151-240-416