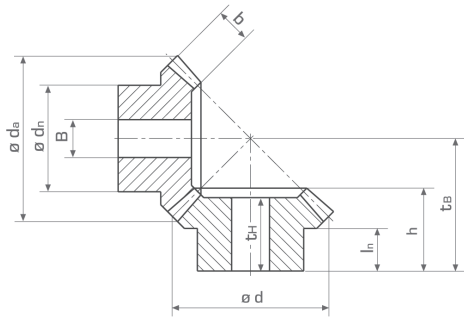


Kegelräder Bevel Gears



Übersetzung | ratio

i = 1:1

geradverzahnt | straight teeth
Eingriffswinkel | pressure angle
Achsenwinkel | shaft angle
mit balligtragenden Zahnflanken
with crowned tooth bearing
Material | material

20°
90°

1.0503 [C45]

Modul Module	Zähnezahl No. teeth	d_a	d	b	l_n	d_n	B	t_B	h	t_H	t_E	[kg]	Bestell Nr. Part No.
1,0	16	17,41	16,0	4,0	8,0	14,0	5,0	17,0	12,3	11,0	9,71	0,012	151-110-016
	19	20,41	19,0	4,5	8,0	16,0	6,0	19,0	13,2	12,0	10,21	0,018	151-110-019
	22	23,41	22,0	5,0	9,5	19,0	6,0	22,0	15,0	13,5	11,71	0,027	151-110-022
	26	27,41	26,0	6,0	10,0	22,0	8,0	25,0	16,7	15,5	12,71	0,042	151-110-026
	30	31,41	30,0	7,0	10,5	25,0	8,0	28,0	18,4	17,0	13,71	0,061	151-110-030
1,5	16	26,11	24,0	6,0	10,0	20,0	8,0	24,0	16,9	15,0	13,06	0,032	151-115-016
	19	30,62	28,5	6,5	10,5	24,0	8,0	27,0	18,0	16,0	13,81	0,053	151-115-019
	22	35,12	33,0	7,5	11,0	26,0	8,0	31,0	20,5	18,5	15,56	0,077	151-115-022
	26	41,12	39,0	8,5	13,0	28,0	10,0	35,0	22,2	20,5	16,56	0,105	151-115-026
	30	47,12	45,0	10,0	13,5	30,0	10,0	39,0	24,3	22,5	17,56	0,150	151-115-030
2,0	16	34,83	32,0	8,0	12,0	26,0	10,0	31,0	21,5	19,0	16,41	0,072	151-120-016
	19	40,83	38,0	9,0	12,0	30,0	10,0	35,0	23,3	21,0	17,41	0,115	151-120-019
	22	46,83	44,0	10,0	13,0	32,0	12,0	39,0	25,0	23,0	18,41	0,155	151-120-022
	26	54,83	52,0	11,5	14,0	36,0	12,0	45,0	28,1	26,0	20,41	0,242	151-120-026
	30	62,83	60,0	13,5	15,0	40,0	14,0	50,0	30,5	28,0	21,41	0,340	151-120-030
2,5	16	43,54	40,0	10,0	13,0	32,0	12,0	37,0	25,2	22,0	18,77	0,132	151-125-016
	19	51,04	47,5	11,0	14,5	38,0	12,0	43,0	28,2	25,0	21,02	0,220	151-125-019
	22	58,54	55,0	12,5	16,0	40,0	14,0	48,0	30,5	28,0	22,27	0,298	151-125-022
	26	68,54	65,0	14,5	17,0	45,0	16,0	54,0	33,0	30,0	23,27	0,433	151-125-026
	30	78,54	75,0	16,5	18,0	50,0	18,0	60,0	35,4	32,0	24,27	0,602	151-125-030
3,0	16	52,24	48,0	12,0	14,0	38,0	14,0	43,0	28,9	25,0	21,12	0,218	151-130-016
	19	61,24	57,0	13,5	16,0	40,0	14,0	49,0	31,4	28,0	22,62	0,315	151-130-019
	22	70,24	66,0	15,0	18,0	45,0	16,0	56,0	35,0	31,0	25,12	0,457	151-130-022
	26	82,24	78,0	17,0	20,0	52,0	18,0	65,0	39,5	36,0	28,12	0,737	151-130-026
	30	94,24	90,0	19,5	22,0	60,0	20,0	73,0	43,3	39,0	30,12	1,08	151-130-030
3,5	16	60,95	56,0	14,0	16,5	45,0	16,0	50,0	33,5	29,0	24,48	0,353	151-135-016
	19	71,45	66,5	16,0	18,0	50,0	16,0	57,0	36,7	32,0	26,22	0,540	151-135-019
	22	81,95	77,0	17,5	20,0	55,0	18,0	64,0	39,6	35,0	27,98	0,745	151-135-022
	26	95,95	91,0	20,0	21,0	60,0	20,0	73,0	43,4	39,0	29,98	1,11	151-135-026
	30	109,95	105,0	23,0	23,0	70,0	22,0	83,0	48,5	44,0	32,98	1,70	151-135-030



Auf Wunsch erhalten Sie unsere Kegelräder auch in gehärteter Ausführung (HRC 52±2): für Anfragen und Bestellungen ersetzen Sie bitte die drittletzte Ziffer "0" durch "4".

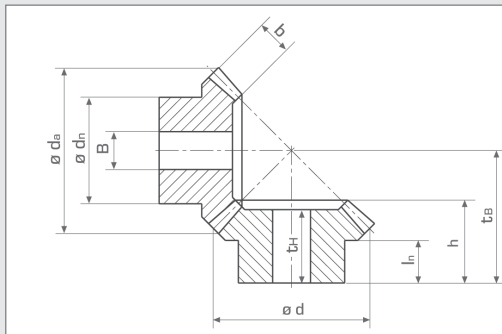
Bestellbeispiel: gehärtetes Kegelrad Modul 2, Übersetzung 1:1, 22 Zähne: 151-120-422

Upon request, our bevel gears are also available in hardened design (HRC 52±2): for inquiries and orders please replace the third last digit "0" with "4".

Order example: hardened bevel gear module 2, ratio 1:1, 22 teeth: 151-120-422

Sollten Sie andere Abmessungen benötigen, helfen Ihnen unsere Konstrukteure gerne weiter.
If you need other dimensions - please contact our engineering department.

Kegelräder Bevel Gears



Übersetzung | ratio

$i = 1:1$

geradverzahnt | straight teeth

Eingriffswinkel | pressure angle

20°

Achsenwinkel | shaft angle

90°

mit balligtragenden Zahnflanken
with crowned tooth bearing

Material | material

1.0503 [C45]

Modul Module	Zähnezahl No. teeth	d_a	d	b	l_n	d_n	B	t_B	h	t_H	t_E	[kg]	Bestell Nr. Part No.
4,0	16	69,66	64,0	16,0	18,0	50,0	18,0	57,0	38,1	33,0	27,83	0,512	151-140-016
	19	81,66	76,0	18,0	20,0	55,0	18,0	65,0	41,6	37,0	29,83	0,775	151-140-019
	22	93,66	88,0	20,0	22,0	60,0	20,0	73,0	45,0	40,0	31,83	1,08	151-140-022
	26	109,66	104,0	23,0	23,0	70,0	22,0	82,0	48,2	44,0	32,83	1,65	151-140-026
	30	125,66	120,0	26,0	25,0	80,0	25,0	92,0	52,4	48,0	34,83	2,41	151-140-030
4,5	16	78,36	72,0	18,0	21,0	58,0	20,0	64,0	42,8	38,0	31,18	0,755	151-145-016
	19	91,86	85,5	20,0	21,0	60,0	22,0	72,0	45,5	40,0	32,43	1,02	151-145-019
	22	105,36	99,0	22,5	23,0	70,0	25,0	81,0	49,6	44,0	34,68	1,54	151-145-022
	26	123,36	117,0	25,5	25,0	80,0	28,0	92,0	53,7	48,0	36,68	2,32	151-145-026
	30	141,36	135,0	29,0	28,0	85,0	30,0	104,0	59,2	54,0	39,68	3,26	151-145-030
5,0	16	87,07	80,0	20,0	22,5	65,0	22,0	70,0	46,4	41,0	33,54	1,03	151-150-016
	19	102,07	95,0	22,0	23,0	70,0	25,0	79,0	49,4	44,0	35,04	1,44	151-150-019
	22	117,07	110,0	25,0	25,0	80,0	28,0	89,0	54,1	48,0	37,54	2,12	151-150-022
	26	137,07	130,0	29,0	29,0	85,0	30,0	103,0	60,9	55,0	41,54	3,14	151-150-026
	30	157,07	150,0	32,0	32,0	90,0	35,0	116,0	66,1	60,0	44,54	4,25	151-150-030
6,0	16	104,49	96,0	22,5	24,0	80,0	25,0	80,0	50,7	44,0	36,24	1,69	151-160-016
	19	122,49	114,0	26,0	25,0	85,0	28,0	90,0	54,2	48,0	37,24	2,77	151-160-019
	22	140,49	132,0	30,0	26,0	95,0	30,0	100,0	58,1	51,0	38,24	4,10	151-160-022
	26	164,49	156,0	35,0	30,0	105,0	35,0	116,0	65,6	58,0	42,24	6,08	151-160-026
	30	188,49	180,0	40,0	33,0	120,0	40,0	132,0	73,2	66,0	46,24	9,16	151-160-030

Auf Wunsch erhalten Sie unsere Kegelräder auch in gehärteter Ausführung (HRC 52±2); für Anfragen und Bestellungen ersetzen Sie bitte die drittletzte Ziffer "0" durch "4".

Bestellbeispiel: gehärtetes Kegelrad Modul 6,
Übersetzung 1:1, 30 Zähne: 151-160-**4**30

Upon request, our bevel gears are also available in hardened design (HRC 52±2); for inquiries and orders please replace the third last digit "0" with "4".

Order example: hardened bevel gear module 6,
ratio 1:1, 30 teeth: 151-160-**4**30