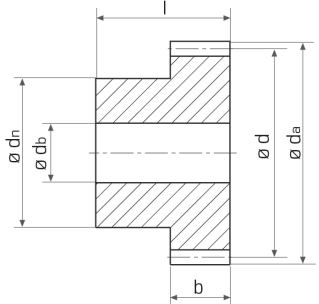


## Stirnräder gefräst, rostfrei

### Spur Gears with Milled Teeth Stainless Steel



**Modul | module** **1,0**

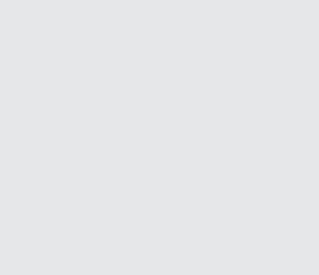
geradverzahnt | straight teeth

Eingriffswinkel | pressure angle **20°**

Material | material **1.4305**

**[X8 CrNiS 18-9]**

Zähnez. No. teeth	$d_a$	$d$	$d_n$	$d_b$	$l$	$b$	[kg]	Bestell Nr. Part No.
15	17,0	15,0	12	5	18	8	0,02	111-010-615
20	22,0	20,0	15	6	18	8	0,03	111-010-620
25	27,0	25,0	18	6	18	8	0,05	111-010-625
30	32,0	30,0	20	8	18	8	0,06	111-010-630
40	42,0	40,0	25	8	18	8	0,11	111-010-640
60	62,0	60,0	40	10	18	8	0,26	111-010-660



**Modul | module** **1,5**

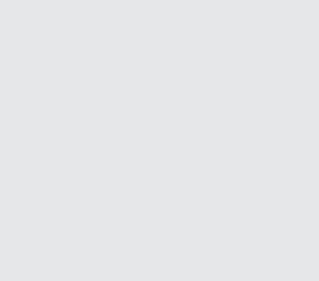
geradverzahnt | straight teeth

Eingriffswinkel | pressure angle **20°**

Material | material **1.4305**

**[X8 CrNiS 18-9]**

Zähnez. No. teeth	$d_a$	$d$	$d_n$	$d_b$	$l$	$b$	[kg]	Bestell Nr. Part No.
15	25,5	22,5	18	6	25	12	0,06	111-015-615
20	33,0	30,0	20	8	25	12	0,10	111-015-620
25	40,5	37,5	25	8	25	12	0,14	111-015-625
30	48,0	45,0	30	10	25	12	0,20	111-015-630
40	63,0	60,0	40	10	25	12	0,36	111-015-640
60	93,0	90,0	60	12	25	12	0,82	111-015-660



**Modul | module** **2,0**

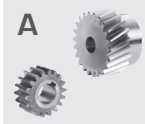
geradverzahnt | straight teeth

Eingriffswinkel | pressure angle **20°**

Material | material **1.4305**

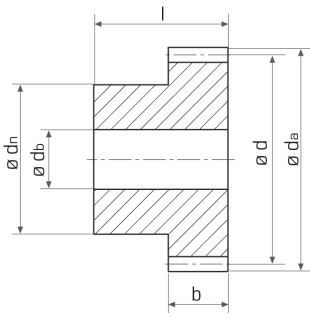
**[X8 CrNiS 18-9]**

Zähnez. No. teeth	$d_a$	$d$	$d_n$	$d_b$	$l$	$b$	[kg]	Bestell Nr. Part No.
15	34,0	30,0	24	8	30	16	0,12	111-020-615
20	44,0	40,0	28	10	30	16	0,20	111-020-620
25	54,0	50,0	30	10	30	16	0,29	111-020-625
30	64,0	60,0	40	12	30	16	0,45	111-020-630
40	84,0	80,0	50	12	30	16	0,76	111-020-640
60	124,0	120,0	80	15	30	16	1,91	111-020-660



Stirnräder gefräst, rostfrei

Spur Gears with Milled Teeth Stainless Steel



**Modul | module** **3,0**  
 geradverzahnt | straight teeth  
 Eingriffswinkel | pressure angle **20°**  
 Material | material **1.4305**  
**[X8 CrNiS 18-9]**

Zähnez. No. teeth	$d_a$	$d$	$d_n$	$d_b$	$l$	$b$	[kg]	Bestell Nr. Part No.
15	51,0	45,0	30	12	40	25	0,38	111-030-615
20	66,0	60,0	40	15	40	25	0,60	111-030-620
25	81,0	75,0	50	15	40	25	0,96	111-030-625
30	96,0	90,0	60	20	40	25	1,45	111-030-630
40	126,0	120,0	80	20	40	25	2,68	111-030-640
60	186,0	180,0	-	25	-	25	4,84	110-030-660

**Modul | module** **4,0**  
 geradverzahnt | straight teeth  
 Eingriffswinkel | pressure angle **20°**  
 Material | material **1.4305**  
**[X8 CrNiS 18-9]**

Zähnez. No. teeth	$d_a$	$d$	$d_n$	$d_b$	$l$	$b$	[kg]	Bestell Nr. Part No.
15	68,0	60,0	45	15	50	32	0,80	111-040-615
20	88,0	80,0	50	20	50	32	1,38	111-040-620
25	108,0	100,0	60	20	50	32	2,22	111-040-625
30	128,0	120,0	80	25	50	32	3,29	111-040-630
40	168,0	160,0	-	25	-	32	4,92	110-040-640
60	248,0	240,0	-	30	-	32	11,06	110-040-660